

# Gulf Islands Driftwood

Serving the islands that make Beautiful British Columbia Beautiful

Fourteenth Year, No. 13

Ganges, BRITISH COLUMBIA Thursday, April 5, 1973

\$4.00 per year in Canada, 10¢ copy

APPROVED BY REGIONAL DISTRICT

## Two more plans join hold-up

Two more community plans have been approved by the Capital Regional District. The plans for South Pender and Galiano Islands will join the earlier Salt Spring Island Community Plan to gather dust in the office of the minister of municipal affairs.

The plans, evolved by the various island communities for the benefit of those communities have been refused by the minister.

The select standing committee on municipal matters is carrying out a survey of the islands from Victoria to the north of Vancouver Island. Until the survey is completed there is no hope held out of ministerial approval.

Salt Spring Island plan was passed to the minister last October. No action has been taken on it.

When the new plans were approved last week by the regional board Chairman J. M. Campbell expressed criticism of the minister for his delay.

The previous government had adopted the policy that the people of the islands could best assess the future role of the islands. The present government has shown no inclination to trust the people with any administrative policy which might readily be undertaken by bureaucracy.

Mr. Campbell last week told the regional board that the minister's function is to give security to the plans and not to judge them.

Planning on the islands has

## VEHICLE WRECKED IN CRASH

Pick-up was almost a total wreck on Thursday when it rolled off Fulford-Ganges Road at Hundred Hills. Driver Lawrence Wood, 2037 Kaltasin Road, Victoria, escaped uninjured.

Car was travelling south to meet the Swartz Bay ferry when it failed to negotiate the curve at the south end of Hundred Hills.

Driver was charged with speeding.

## Hospital Meetings Planned

The annual meeting dates of the Lady Minto Gulf Islands Hospital Society will be, Mayne Island: Wednesday, May 9, at 3 p.m.; Galiano Island: Wednesday, May 9, at 7:30 p.m.; Saturna Island: Thursday, May 10, at 3 p.m.; North and South Pender Islands: Thursday, May 10, at 8 p.m.; Salt Spring Isl-

## BREAKFAST LEFT TO MEN OF PARISH ON APRIL 29

There'll be some sickly churchgoers on April 29. That's the Sunday when the men of the Anglican Church at Ganges stage their Men's Breakfast.

The men do the cooking that morning and feed the congregation. It is planned as an annual penitential rite.

been frozen for three years while two governments in succession examine them.

## INTERNATIONAL DIRECTOR OF LIONS CLUBS ENTERTAINED AT GANGES



## MEETING DEBATES THE

## Traffic Hazards of Ganges

Driving through Ganges is hazardous, but walking presents an even greater hazard, a meeting in Ganges on Saturday agreed.

Delegates attending the Presidents' Breakfast in the Ship's Anchor Inn discussed the hazards of crossing the road in the Salt Spring Island commercial community.

New footpath between the Pioneer Village and the Ganges centre offers a hazard where the pedestrian must cross the road near Upper Ganges Road. Traffic is fast moving down the hill from the Court House, it was agreed and a pedestrian crossing at the foot of the hill represents a potential danger to the user.

The assembly also criticized the road between the Centenni-

al Park and the Ganges Pharmacy. The southbound traffic must yield where the two roads join and the driver is required to look over his shoulder as he approaches a pedestrian crossing in front of him.

Question of a by-pass for Ganges had been mooted, but the majority felt that most traffic was heading towards the commercial centre and that a by-pass would not serve a valuable purpose.

The possibility of an alternative road out of Ganges was also discussed, but it was suggested that the cost of acquiring the necessary property would be prohibitive.

## FLOWER BOX FUND IS CLOSED

The flower box fund has been closed. Last fall DRIFTWOOD launched a fund to replace the attractive wooden flower boxes at Centennial Park in Ganges. The boxes had been extensively damaged by vandals and the Salt Spring Island Garden Club had decided that their maintenance was no longer justified.

The fund started at \$100 and closed at \$936.89. It will not meet the entire cost of the new flower boxes, but it will underwrite a substantial part of the cost.

Readers who are still interested in contributing to the fund may make a donation directly to the Centennial Park Association at the Bank of Montreal in Ganges.

The Lions Annual Walkathon on April 21 will raise funds to complete the purchase.

## BURGLARS RANSACK HOME

Home of Mr. and Mrs. Bruce Reid at St. Mary Highlands, Ganges, was broken into on Friday and a considerable number of articles were stolen.

Items taken from the island home included tools, electrical

goods and appliances. Occupants of the house were away from home and the thefts were not discovered until Sunday.

RCMP detachment at Ganges is investigating the incident.

## SCHOOL AND HOSPITAL ...'YES'

— BY NARROW MARGIN

Final Gulf Islands School District school building referendum scraped through on Saturday when it was approved by a margin of seven votes. The school vote was supported at the same time as the voters gave approval to the big hospital construction plan for all of the Capital Regional District.

School vote asked for an additional \$281,000 on top of previous money by-laws to make up the margin needed to complete major construction and reconstruction at Ganges. The aged elementary school will be rebuilt to modern standards of safety and efficiency and new facilities will be added to the secondary school.

Earlier votes had been approved by a narrow margin after initial failure. The additional funds are needed to cover the margin between the architect's estimates of the cost and the tenders submitted by contractors. Additional contingency fund was also required by the department of education in order to allow adequate emergency funds for the reconstruction of the elementary school at Ganges.

Construction will commence almost immediately, DRIFTWOOD was told.

The hospital vote permits the construction of major improvements and extensions to the two large hospitals in Victoria as well as minor additions and alterations to other hospitals, including Lady Minto. Further new hospital is also to be constructed in the Greater Victoria area.

## FEATURED SINGER



Kathy Stack shown in this picture, will be performing some of her own songs with Clair Lawrence during this Sunday afternoon's CAC concert. It will be held at the Scott Road home of Mr. and Mrs. Henry Schubart.

## CLEAN-UP CONTEST FOR MONTH

Clean-up Paint-up Month on Salt Spring Island will run from April 15 until May 19. The Salt Spring Island Chamber of Commerce is offering its annual trophy to the island business house with the most marked improvement during that month.

Island businesses are invited to register with John Newton at the Canadian Imperial Bank of Commerce in Ganges before going ahead with the work. There is no entry fee.

Last year there were 15 entrants in the contest and the Chamber hopes to see a greater support this year.

## To press for boat ban on lakes

Salt Spring Island Rod and Gun Club will press the provincial government for the elimination of outboard boats from all island lakes except St. Mary Lake.

Gavin Reynolds, club president, told the Presidents' Breakfast meeting on Saturday in Ganges that outboard vessels were undesirable on the smaller lakes, where the main interest of users is the fishing.

Mr. Reynolds asked for general support of his plea from other island organizations.

Lakes affected would be Weston, Stowell, Ford, Cushman and Blackburn.

# Give to Easter Seals.

# FERRY DOCK SAILS IN

BY MARY BACKLUND

A 90-foot barge, loaded with steel, timbers, and a ferry slip which is destined for Port McNeill, made an unsch-

eduled stop at Sturdies Bay, on Galiano Island.

It was being towed by the Pacific Dolphin from Vancouver on the way to Victoria. The captain noticed that the barge was taking water quickly, and he brought it into Sturdies Bay, early Friday morning, March 30. The gigantic barge was beached on the rocks beside the dock.

Pacific Piledrivers diver could not find any damage around the outside of the barge. He could not look on the bottom, as it was by then up high and dry on the rocks.

Another barge was brought in from Victoria, with a crane and the crews worked into the night to transfer the load, more than 100 tons of it. It is now on the way to Victoria, and a couple of days late for its destination, more than 200 miles away at northern Vancouver Island.

This is probably the only time that two ferry docks, from two different places, will ever be so close together.

## WORKSHOP SHOULD BE PUBLIC URGES MRS. DELMONICO

If the Salt Spring Island Planning Association undertakes a workshop on the designation of farmland on Salt Spring Island it should be undertaken in public. Mrs. W. E. Delmonico told the association on Monday evening that she would like to see such a workshop invite any interested islander to take part.

There was a public input into the community plan, replied Chairman Gail Secor.

The Salt Spring Island Community Plan conflicts with the Gulf Islands Regional Plan, reported Mrs. Delmonico. The maximum slope permissible for residential construction is not the same in the two plans, she reported.

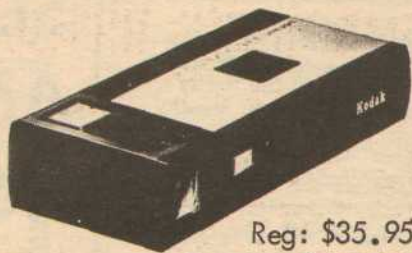


Ferry dock is shipped from one barge to another.

**KODAK POCKET INSTAMATIC**

20

CAMERA OUTFIT



Reg: \$35.95

Spec. \$29.95

## GANGES PHARMACY

Les Ramsey 537-5534 Keith Ramsey

## CANADA PENSION PLAN BENEFITS

are payable to a widow and her dependent children; also she will still receive the children's family allowance cheques. Under the C.P.P., the pension will vary from year to year and, of course, reduces as the children grow up to adults.

Most men want to know exactly the \$ value of this pension that their widow will receive if they die leaving a young family.

Because they also know that the pension is not sufficient to provide their family with the necessities of life, most men arrange a plan of decreasing term insurance to integrate with C.P.P. benefits and thus guarantee their family a decent living.

Of course each family's needs vary and so will the amount and term of insurance vary. Why not drop in to our office, or phone for an appointment at your home, so that we can show you how to judge yourself what your family will need. Of course there is no obligation and you will be surprised at the low cost of giving your family security.

**SALT SPRING INSURANCE AGENCIES (1972) LTD**  
 Roy E. Betts Chuck Longeway  
 Mayne Island Norman Moutat 537-5527  
 539-2176 Box 540, Ganges.

## CAPITAL REGIONAL DISTRICT

PLANNING AREA NO. 4

(OUTER GULF ISLANDS ELECTORAL AREA)

# ZONING NOTICE OF PUBLIC HEARING

NOTICE is hereby given that all persons who deem themselves affected by the following proposed By-law will be afforded an opportunity to be heard on the matters contained therein at a Public Hearing to be held in the Pender Islands Recreation and Agricultural Hall, Port Washington Road, Pender Island on THURSDAY, April 12, 1973 COMMENCING AT 8:30 P.M.

### A BY-LAW TO AMEND ZONING BY-LAW NO. 103 1972 (OUTER GULF ISLANDS)

- By-law No. 103 cited as "Zoning By-law, Planning Area No. 4 1972", is amended as follows:
  - By deleting from the Commercial One Zone and adding to the Industrial One Zone, Part of Parcel D of N.W. 1/4, Section 19, Pender Island, Cowichan District.

The purpose of the amendment is for bulk fuel storage tank use. The subject property is located at Clam Bay and Bedwell Harbour Roads adjacent to Smith Store.

- By deleting from the Industrial One Zone and adding to the Rural Two Zone, Part of Parcel E of N.W. 1/4, Section 19, Pender Island, Cowichan District.

The purpose is to remove the existing bulk fuel storage tank use from the property immediately south of Bedwell Harbour Road.

A copy of the proposed amending By-law may be reviewed at the Pender Islands Recreation and Agricultural Hall, Port Washington Road and also at the office of the Capital Regional District, Room 210, Burnes House, Bastion Square, Victoria, between the hours of 8:30 A.M. and 4:30 P.M. on any weekday except Saturday or Statutory Holidays.

D. A. Young,  
Secretary-Treasurer

## Letters To The Editor

### BIASED EDITORIALS

Editor, Driftwood,  
 As a one time resident of the Gulf Islands, and with all due respect to my many friends still there, I have been waiting a long time to blast your biased articles in the Driftwood, and as one small example I could choke over a small article on the front page of the last issue dated March 29, 1973. "SOS and Island Link".

How very cute and clever that a lawyer could come up with something so original as "Stamp out Socialism" - he certainly deserves another "B.S." on top of all his other university degrees.

I am enclosing an article from the Salmon Arm Observer March 28, also a look at a lawyer's point of view on Bill 42. I wish I had saved last week's editorial by Gordon Priestman, which was also an intelligent, unbiased example of "white journalism", dealing with the same subject.

In addition, many of your readers may also note Lorne Parton in the Province - and I noticed that he commented on the "bumper stickers" of "down with Bill 42" were mostly recognizable on the array of Buick Oldsmobiles and Cadillacs, parked outside the Harrison Hot Springs Hotel (and to quote "these are the poor farmers"?)

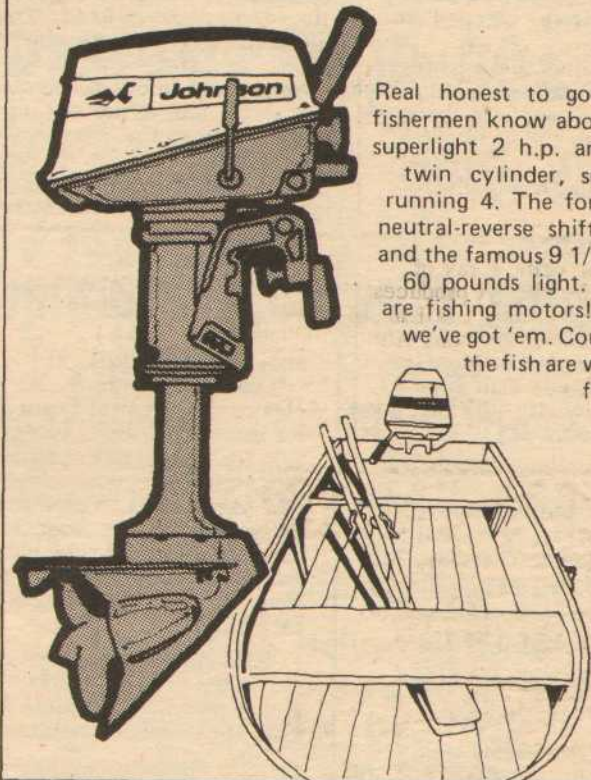
There are too many people who remind me of the story of "Chicken Little", who had an apple fall on his head one day, and ran all around the barnyard screaming "The world is coming to an end." As long as I can remember, the government has been telling us what to do, and how to do it, and when - with no mercy for the "average bear" - so let's just quit all the hollering and panic and give someone the benefit of the doubt for a change. People have never been so aware of, or interested in what's going on, politically, until now - and this in itself, is a step forward as far as we are concerned.

Mrs. Ken Sater,  
RR 1, Tappen, B.C.  
March 30, 1973.

OFF: 537-2333 RES: 537-5328  
**JOHN M. STURDY D.C., Ph.D.**  
 Doctor of Chiropractic  
 Fulford Ganges Road,  
 P.O. Box 486, Ganges, B.C.

**DRIFTWOOD**  
 for  
**Rubber Stamps**

## Johnson OUTBOARDS for Fishermen



Real honest to goodness fishermen know about the superlight 2 h.p. and the twin cylinder, smooth running 4. The forward-neutral-reverse shifting 6 and the famous 9 1/2-only 60 pounds light. These are fishing motors! And we've got 'em. Come on - the fish are waiting for you.

**GANGES BOAT YARD LTD.**  
 537-2932

Below the Hotel at the Head of Ganges Harbour

to be frank



By Richards

Garbage collection will eventually "come off your taxes", delegates to Saturday's Presidents' Breakfast were told. "On your taxes," gently chided Alex Laing, "nothing ever comes off your taxes."

There will be an entry in the May 24 parade from the B. C. Ferries, Shane Heinekey was assured last week. "Will it break down half way through the parade?" asked a cynic.

Voting at Ganges on Saturday was in Mahon Hall. It was clearly spelled out in various advertisements and announcements in DRIFTWOOD. It was written by this writer on at least two occasions. So on Saturday, where does he go to vote? At the School Board Office, of course! And that wouldn't have been so bad if he had asked Roma Sturdy where the polls were. At least, I knew there was a vote on Saturday!

One youthful Salt Spring Islander has come up with a sign for bumpers, "Stamp Out Social Credit" but he ran out of oomph when it came to producing the sign. Doesn't seem to make much difference. We've been stamping out the Bug for a year and we still have the bug and the Bug...and the bugs. Betting is that even after four years we'll still have Social Credit. We might even still have Socialism!

There's a lot more garbage on Salt Spring Island than ever meets Wally Twa's eye. The island garbage collection service serves less than half the homes on the island. What happens to the rest? Well, some of it lands up on the ferries. A ferryman was recalling the other day that a member of the crew was directed to empty the garbage cans on the ship. A few minutes after the vessel sailed, the cans were full and the steward tore into the crew member. He was wise to it and took out a package of garbage, opened it and revealed evidence of the householder who regularly dumps it on the ferry. "I'm surprised at that fellow," said the ferryman. "But I won't tell you his name. Let him sweat!"

Wilf Bangert and Phil Valcourt have an air-conditioned building lot. They were among a plane-load who went to Arizona and purchased property in a new town on the desert. The place gets warm in summer and when the mercury starts to boil in the thermometer a series of jets throw a fine spray of water into the air. It produces a cloud which causes a fall in temperature. Cool, man! And so are the lots! The cosmopolitans were wined and dined during their visit to the United States.

The aged Rotarians were on top of the world at the week end. On top of the baseball world, anyway. Despite their average great age, the service clubmen defeated the youthful firemen in their first game of the season.

According to District Governor Tom Porlock, there are 999,999 Lions in various countries of the world and me. They hit the million mark in the last week or so.

Department of transport has been advertising for provision for "temporary Singlemen" at Port Hardy. I would have expected in the present era a greater percentage of temporary marriedmen.

The weekly resolve: Let's pray on Sunday to abolish Monday!

The acquisition of Ruckle park property at Beaver Point by the provincial government has been acclaimed in many places. Nowhere was it more warmly acclaimed than San Bernardino, California. Former resident of Salt Spring Island, Mrs. Ray King writes that she read the report of the Ruckle farm being acquired for park purposes with joy. She promptly called the attention of the Sierra Club in San Francisco to the new park and urged that the club publish the story in the Bulletin. The club declined, explaining that there was no way of using the story as a feature and that it would be lost as a simple news item. But she tried!

I was born in England, but I was a Canadian before you were, I jeered at Lions International Director Bud Ozark last week. He jeered back, "No you weren't...I was born in New Brunswick!" He comes from Newfoundland and pronounces it two ways. He explained that it is simply, "New found land". Then he referred to it as "New-fnd-land".

Anyone who was short of breath when the Salt Spring Players put on their three-act play recently can recover next week. "Breath of Spring" will be partly presented in conjunction with two one-act plays by students.

Fellow was left at home while his wife was gadding in Vancouver. He had no worries - the B.C. Hydro warms his bed and board. Until he entertained guests. The guests quietly unplugged his electric blanket and then switched off the power supply to his heating units. It was cold when he went to bed, but he figured he would turn up the heat on the morrow. In the meantime, he crawled into bed with the blanket on High. He curled up in

Plea for support May Day

May Day is shaping up. The annual Salt Spring Island celebration will be staged again this year in the school grounds at Ganges and the sponsor is the Salt Spring Island Chamber of Commerce.

Directing the day's activities is Shane Heinekey, of the Shapeup Shop in Ganges. There will be plywood booths set up for stalls and midway this year and community org-

bed and got colder and colder. In the early hours of the morning he crawled down to the basement and rescued his sleeping bag. It was not until late daylight, warm at last, that he discovered the source of his sudden chill.

An automobile is reaching the end of its days when the owner doesn't bother to repair a dent.

Why is it so much easier to recognize pomposity in the other fellow?

Car in Ganges has a new bumper sticker, stamping out nothing. Seen last week end, "I'm not a dirty old man... I'm just a sexy senior citizen".

If you think it's funny for a man to suffer housemaid's knees don't snigger while Harry Williamson is around. He was in hospital for weeks, suffering from the traditional domestic complaint. It comes from kneeling too much, finishing concrete. The knees will only take a man's weight so long Harry discovered, then they protest.

anizations are invited to take a booth to provide an attraction during the afternoon. The community has also been urged to support the parade of floats to be held on May Day. Commercial and institutional floats are invited. In charge of the parade is Shane Heinekey.

AUCTION MAY 19 AT NORTH GALIANO

Auction will be held on Galiano Island on May 19, commencing at 1 pm, in the North Galiano Community Club.

Articles may be submitted for the sale and the club will take five per cent of the proceeds.

**WOLFE-MILNER, THOMSON & HARDIE**  
 BRITISH COLUMBIA LAND SURVEYORS  
 P. O. BOX 3 GANGES, SALT SPRING ISLAND  
 P. E. THOMSON, B.C.L.S. Phone 537-5333 A. R. HARDIE, B.C.L.S. Res. Phone: 537-2579 Res. Phone: 537-5749

**GOING TO PORTLAND ?**  
 STAY AT THE ROSE MANOR MOTEL  
 For motel and hotel reservation anywhere in the world call: -  
**ALADDIN TRAVEL SERVICES LTD.**  
 Call: Dale Codd 653-4410 Fulford Harbour

**WATER STORAGE TANKS**  
 \* Delivered on site \* Flanges \* Depth indicator  
 \* Domed lid \* Float \* 700 Gallons  
 \* Shut-off valve  
**WELL CASING • SEPTIC TANKS**  
 All Products Delivered  
**FLEXCRETE INDUSTRIES LTD.**  
 FERRO-CONCRETE PRODUCTS Box 611,  
 Made on Salt Spring for the Gulf Islands Ganges  
 EVES 537-2117 DAYS 537-2450 EVES 537-2179

**THE CHURCH WORLD RELIEF AND DEVELOPMENT TEA**  
**Do you care about the rest of the world ?**  
 IF YOU DO ..... Come to the tea at the home of  
 Mrs. Barbara Hughes, Vesuvius Bay Road  
 on  
**WEDNESDAY - APRIL 11 - 2pm**  
 \* SALE OF HOME COOKING  
 For Transportation Call: 537-2903  
 All Proceeds to the Church World Relief and Development Fund

**CAPITAL REGIONAL DISTRICT**  
 PLANNING AREA NO. 4  
 (OUTER GULF ISLANDS ELECTORAL AREA)  
**ZONING**  
**NOTICE OF PUBLIC HEARING**

NOTICE is hereby given that all persons who deem themselves affected by the following proposed By-law will be afforded an opportunity to be heard on the matters contained therein at a Public Hearing to be held in the Galiano Elementary School, Galiano Island on Friday, April 13th, 1973 commencing at 8:30 p.m.

**A BY-LAW TO AMEND ZONING BY-LAW NO. 103, 1972 (OUTER GULF ISLANDS)**

1. By-law No. 103 cited as "Zoning By-law, Planning Area No. 4, 1972", is amended as follows: -  
 (a) By deleting from the Rural 2 Zone and adding to the Commercial One Zone, part of Lot 8, District Lot 83, Plan 21831, Galiano Island, Cowichan District

The purpose of the amendment is for a small gourmet restaurant. The property is located on Porlier Pass Road approximately 400 feet east of Madrona Lodge.

A copy of the proposed amending By-law may be reviewed at the Spanish Hills General Store, North Galiano, the Post Office at Sturdies Bay and the office of the Capital Regional District, Room 210, Burnes House, Bastion Square, Victoria, between the hours of 8:30 a.m. and 4:30 p.m. on any weekday except Saturday or Statutory Holidays.

D. A. Young  
 Secretary-Treasurer

**adidas**  
**Shape-Up Shop**  
 WE CUT KEYS **537-2325** McPhillips Ave.

MATCH	6.95
BOAT	6.95
ROMS	17.50

Softball Gloves  
 Tennis Equipment

# Driftwood

Published at Ganges, Salt Spring Island  
In the Province of British Columbia, every Thursday

EDITOR: Frank Richards



Member: British Columbia Weekly Newspapers' Association  
Subscription Rates: \$4.00 per year in Canada  
\$7.50 per year to all foreign countries

Second Class Mail Registration No 0803

Thursday, April 5, 1973

## ALAS! POOR QUIXOTE!

Alas, that we looked for so much and found so little! When the Scientific Society for Pollution and Environmental Control took a close look at the Ganges Sewer scheme many of us hoped that the examination by technicians and scientists might resolve some of the gnawing doubts of the layman taking part in a technical project. But, no! SPEC came marching in from Vancouver as negatively prejudiced as the proponents were swayed to the positive side SPEC proved as hysterical as a militant, uninformed layman. Worst of all, the organization looks to a master plan to bring about urbanization of the whole island by an over-all sewer system.

We have the sad spectacle of a new Don Quixote de la Mancha galloping his steed through the waters of Ganges Harbour, raising a screen of mist over the picture as he tilts at a mirage of windmills with a lance of prejudiced, irrational judgment.

Where we looked for information we find emotion. Where we looked for guidance we find prejudice. Where we looked for scientific data we find verbiage.

It is not easy to fit SPEC into this Cervantesian picture. We don't know whether SPEC resembles Quixote or Quixote's horse!

## WHY NOT TWO BIRDS?

The die is cast. By the magnificent margin of seven votes a handful of islanders has approved the construction of school facilities this year at Ganges.

The hospital vote, which was voted on over a wider area, also gained electors' support.

The picture is ludicrous. Essential services such as schools and hospitals must be delayed until a small minority of eligible voters finds the inclination to attend the polls.

If the vote is so important to British Columbians, why does such a small percentage of voters exercise the franchise? The present legislation suggests that the referendum is of more importance to the government than it is to the people.

It is high time the farce of reference to the voters was removed from the pattern of school and hospital construction. The present government promised to lift the burden of schools from land taxes. If they were to relieve the community of casting a ballot on what can only be interpreted as a very unimportant subject, they would kill two birds with one stone.

And, incidentally, when do they contemplate bumping off those two birds?

## WHELDON IS NAMED BY PLANNERS

Trevor Wheeldon has been named by Salt Spring Island Planning Association as a candidate for the Advisory Planning Commission.

Director Marc Holmes announced earlier that he would accept recommendations from the association for a nominee to fill the newly established fifth seat on the commission.

Two names were offered by the association, Mr. Wheeldon, a current member and I. C. Shank, a past member. Members voted for Mr. Wheeldon after R. D. McWhirter told them he turned down an invita-

tion to let his name stand as he felt it should be a current member of the association who has been recently elected by the public.

Mr. Holmes makes the recommendation of a nominee, but the Capital Regional Board makes the appointment.

## FISHING DERBY

Annual Fishing Derby at North Galiano will be staged on Saturday and Sunday, July 14 and 15. Weigh-in will be at Porlier Pass Marina.

WELCOME ABOARD! THE RESTAURANT, CAFETERIA, NEWSTAND AND THE WASHROOMS ARE NOW OPEN!



## World relief fund

BY GWEN HIND-SMITH

Since it was instituted the Anglican Primate's World Relief and Rehabilitation Fund has spread out and now embraces most of the Christian Churches including the Roman Catholic, United Church of Canada, Presbyterian and Lutheran Churches in a joint effort to help alleviate the sufferings of millions of people in the world and to help them to be free and to be fully alive.

To be free from the early death that simple health care could prevent.

To be free from malnutrition and its resultant evils.

Free from the prison of illiteracy that robs them of knowledge and skills.

To provide relief for the refugee from floods, earthquakes wars and disease and to rehabilitate these unfortunate fellow human beings.

The posters you see displayed in Ganges show an abstract face representing all mankind. It expresses a mood of expectation and a desire for something better - something of dignity. People who are alienated or deprived need to become aware of the love and concern of others expressed not just in words but in tangible attitudes. All suffer a horrifying uprooting and disintegration. The church brings them relief with food, medicine and shelter. Help does not stop there, it continues through rehabilitation and restores hope by providing the means to start again.

In 1972 Canadian Christian Churches donated \$7,901,464. \$2,268,486 was spent on emergency relief for the victims of floods, famines, earthquakes, fires and wars. \$5,632,978 went to development assistance, i.e., agriculture, education, medical, economic and social.

It should be noted that the Administrative costs of the Fund are minimal and the proceeds really get to where the need is.

The major work in 1972 was in the Bangladesh rehabilitation program. Much needed aid was sent to the Sudan and to victims of oppression in Southern Africa, Uganda and Latin America in addition to aid to Nicaragua following the earthquake.

Development programs included a village polytechnic training centre in Kenya, a well drilling project in Hyderabad, technical and social rural

development in the Dominican Republic and a family planning project in Egypt.

The Fund also provided grants to areas of need in Canada, i.e., B.C. Indian Homemakers Association, Allied Indian and Metis Society, Nishga Tribal Council and many more projects aimed at the betterment of the lot of the native Indian.

The major demands on the fund for the coming year will be in the famine areas of Asia and Africa and for a major rebuilding program in Indochina following the cease-fire. In addition up to 2 million Indians face starvation because of failure of the monsoon and resultant crop failure due to the severe drought.

We on Salt Spring know little of real hunger or want. Try for a moment to put yourself in the position of a mother or father who sees their children slowly dying of starvation or disease with no food to offer, no medical care and with no home or even shelter except on the roadside, and with no hope of anything better. Go without a meal for just one day and this will bring home to you the plight of people who constantly suffer the pangs of hunger as their daily lot and whose ever-present companions are sorrow and despair.

You have the opportunity to help these sad and unfortunate people by attending and donating to the annual Primate's Tea to be held at the home of Mrs. Barbara Hughes on the Vesuvius Road (just past Central) at 2 pm on April 11. Come and bring all your friends and neighbors and show that you do care. The tea is being convened by Mrs. Arthur Millner assisted by a group of willing helpers including a team of young people. The

## Hospital Day on May 11

Hospital Day at Lady Minto Hospital will be observed on May 11. The hospital will stage Open House and prominent on the day's program will be the invitation to visit patients in the new wing and learn of the Extended Care program in operation there.

Hospital Women's Auxiliary will stage a sale during the day's program.

The same day is also set for the annual hospital meeting in Mahon Hall at Ganges when members will be elected to the board of administration of the hospital.

The Aage Villadsen Golf Classic on May 5 will be run in support of the hospital.

## SMITH IS NAMED BY SAILORS

Dave Smith was named president of the Salt Spring Island Sailing Club at the annual meeting in the home of Dick Toynbee on Friday evening. A full new slate of officers was elected. Serving with Mr. Smith are W. R. Cannon, vice-president; L. Neish, secretary; Mrs. Dick Toynbee, treasurer.

Plans are being made to assist the Sabot racers and some summer cruising plans are being considered. Anyone interested in joining the Club should contact any of the officers mentioned.

The next meeting will be held at the home of Mrs. Doug Thomas on Robinson Road, April 27, at 8 pm.

The aims of the club are to encourage interest in sailing and sportsmanship.

## TWO INJURED WHEN CAR LEAVES ROAD ON SALT SPRING

Two were injured when a car left the road north of St. Mary Lake on Tuesday evening last week. Car driven by John L. Langdon, Ganges, went out of control on the North End Road, north of Whims Road, crossed the ditch and ran into a field.

Langdon suffered a cut to the forehead and bruises and his companion, Pat McKee suffered injured to the legs.

Ganges RCMP detachment is investigating the accident.

tea is a simple one and there is no set charge but your donation could feed a refugee family for a week. There is also a sale of home baking.

In addition to the tea there will be collection boxes in Moutat's Store on April 7, 9 and 10 for those unable to attend the tea or who wish to make additional subscriptions.

## Church Services

SUNDAY, APRIL 8, 1973

ANGLICAN			
St. Mary's	Fulford	Holy Communion	9:30 am
St. Mark's	Central	Morning Prayer	11:15 am
ROMAN CATHOLIC			
Our Lady of Grace	Ganges	Holy Mass	9:00 am
St. Paul's	Fulford	" "	11:00 am
UNITED			
Rev. Fred Anderson	Ganges	Worship Service	10:30 am
Box 461, 537-2439		(Child care provided)	
COMMUNITY GOSPEL CHURCH			
	Ganges	Sunday School & Morning	
		Worship	10:30 am
		Evangelistic Service	7:30 pm
		Midweek Fellowship	7:30 pm
Thursdays:	"		

# SATURNA

BY PAPAJOHN

If ye old index finger holds out may get all this week's events chronicled. Wednesday, March 28, was a busy day here.

Our Gulf Islands Branch of the B. C. Historical Society held one of their meetings here at 1.15 p.m. Mr. Donald New was in the chair. After a minimum amount of business Lorraine Campbell was asked to introduce the guest speaker. This was right up Lorraine's alley for the guest speaker was Kay Cronin. Kay is a Saturnalite and a very old friend of Lorraine.

Kay has been secretary, public relations, or as it seems to her friends on Saturna, a most faithful servant to the Oblate Fathers for the past 15 years. Previously she had been with the Vancouver Daily Province staff. She has written a book called, "Cross in the Wilderness" about the Oblate Order's work particularly in B. C. and other parts of the west, and commands a wide grasp of the missionary work that has been, as is still being done by this band of devoted men among the very, very poor. Several years ago Kay was made an honorary member and is the only one of her sex who can write O.M.I. after her name as a member of the Oblate Fathers. We had read her book several years ago and it gave an Irish Protestant like me a very deep appreciation of the work that this Order has done and is doing.

Kay's talk about the history of the Oblate Fathers was very interesting and with her friendly, easy and humorous way of presentation was enjoyed by all. Thanks for a pleasant afternoon, Kay. We are all very proud that we know you.

On Wednesday night we had the Annual Meeting of the Saturna Island Community Club. The first part of the meeting was also our quarterly meeting. After the usual business, Bob Hindmarch reported on the meeting in Swartz Bay between the ferry authorities and the remains of the Outer Islands Joint Council. If all of the other islands are agreeable the mories remaining in the Joint Council will be turned over to Lady Minto Hospital and a new Transportation Committee formed comprised of one member from each island to work with our ferry authorities on problems

that may arise. Bob was unanimously elected as our representative. Walter Warlow after many years as chairman of our Cemetery Committee resigned due to ill health.

Reports from committees were then heard. - the Fire Department under Jim Money gave a lovely report on their work and FINANCES.

The Treasurer gave us another lovely report and commented in his usual dry manner that inflation was also biting into our running expenses.

Our President, Walter Bavis gave us a short and sweet resume of the executive's accomplishments during the last year.

The meeting was then turned over to our Padre Rev. Jack Dangerfield for the annual election of officers. As I was appointed a nominating committee and I had requested Jack Dangerfield's assistance we were "it". There were no nominations from the floor so Jack's and my long struggle to get officers was rewarded but the truth will out. Last year's executive had done so wonderful a job they agreed to act as a team for one more year. We didn't have to threaten or beg. There were a few minor shifts. As Jack Dangerfield was the immediate Past President that is still his position. Walter Bavis is President, John McMahon is the vice-president; Elsie Dangerfield is still secretary and Jack Vincent still treasurer. How lucky can we get! The Directors elected were: Jim Money, Jim Campbell Sr., Benny Begon, Anne Bavis and a newcomer, not to the island, but we talked Bill Sheffield into helping us out as a director.

One of our president's objectives for the next election is to get a new younger set of faces or persons to take part in the work of running our small community, so if you are approached during the year about this give it some thought, will you, male or female or should I have said, female or male.

In our thinking on Saturna, we have evolved a political system where our elected officers of the Community Club vote on the heads of each separate committee such as the Fire Dept.; the Cemetery Committee; the Barbecue Committee, etc. Each committee acts and manages their respective areas without interference but report to the Club each year. The committee heads are active in the club, or on the Board of Executives. Heads of each committee will be announced after the next executive meeting.

The First Lady of the Begon Clan, Maimie Begon was over visiting son Benny and commented on the fact that Benny is sure lucky having a wife like Donna. Among her many and varied abilities is a flair for painting. She has been studying and working at it for several years and on Saturday, Mar. 31, had two of paintings displayed in a show held in St. John's Church Hall at Deep Cove in Saanich. We are all proud of this lady for sticking to a hard job and getting results. She won't paint your bathroom for you but her grasp of colors could sure guide some of us in our choice of shades. Coming events are many and VARIED. On Easter week-

## TRAIL AND NATURE CLUB PLANS SHOW OF MOVIES ON TRIP

BY MARY SYLVANDER

Save the date of April 9 at 8 p.m., Beaver Point Hall, when Doris Anderson, of our Club, will show movies of her trip to Cathedral Lakes, and will tell us about her interesting trip last summer to this beautiful section of B. C.

We think the club will be interested in seeing these pictures and we might think of this as a possible trip for the club this coming summer, if enough interest is shown.

We are also fortunate in having I. C. Shank with us to show his excellent slides of flowers. This should be of particular interest to us all, in view of the club's flower walk planned for Apr. 24.

Members of the Club and their friends are invited to attend this free showing.

end April 21, the Women's Club will have one of their justly famous BAKE SALES in the hall. That is the weekend when most of us add another few inches to ye waistline, and do we love it.

Saturday evening, April 21, Bob and Kay Close are bringing over the "Freeway Rock Group" to hold a dance in the hall from 7.30 to 12, admission is 50 cents. These teenagers were over last year and everyone thought they were GOOD. So for a measly 50 cents all those who enjoy this kind of music come on out and have yourselves a ball. More later about this swell bunch of kids.

On the long weekend of May 20, our Firemen will have an-

## On & Off The Island

Mr. and Mrs. E. J. Morrison of Fruitvale Road, have returned after spending the winter months touring California, Baja Peninsula, Mexico and Arizona.

Mrs. Loes Holland left Monday to visit relatives in Holland Dr. and Mrs. F. E. Saunders of Sunset Drive have returned after spending six weeks in Palm Springs, California.

other one of their gourmet chicken Barbecues in front of the Fire Hall. All the chickens used at these do's are SCRATCHIN' ones, real old style flavour and barbecued just so, on Chuck Bavis' famous chicken barbecue contraption.

Visitors to their cottages this weekend were: Myrt and Lloyd Stewart and daughter Carol; Dorothy and Bill Price, who always seem to be working on what most of us would consider a finished cottage; Stella Couitt on her first trip over this year; Cliff Sacker getting ready to bring his boat over soon; Oh, ye nearly forgot, Lloyd and Myrt Stewart have a NEW boat; Jim and Hilda Yates over to get their cottage fixed up for Johnny and Trudy Bentum to move into; Jim and Hilda are now living in Victoria; am sure we are forgetting something or someone here but will try harder next week.

To cap off a very busy week we had son John over at noon on Saturday with Todd, Barbara and Liljohn over on last ferry. Reason Liljohn hadn't come over earlier was he had to play soccer in a school playoff. It was a grand weekend for us especially Granmarie - it was a

(Turn to Page Six)

Mr. and Mrs. Frank Schwagly have as their guest Mrs. Schwagly's elder sister, Miss Bep Tenholter of Rotterdam, Holland. She is the first of Mrs. Schwagly's family to visit Canada. Miss Tenholter has taught school for 40 years. She lives with her mother in Rotterdam.

**HARBOUR**

**LOW COST GROCERY**

**Specials**

Sale runs from Thurs. 4 p.m. through to Saturday, 9 pm  
We Reserve The Right To Limit Quantities

**BACON SWIFTS 1.09/lb**  
- Sliced side

**WIENERS SWIFTS 79¢/lb**  
- Vac. Pak.

**COTTAGE ROLLS**  
SWIFTS (Delicious) **1.35/lb**

**CHEESE SLICES 89¢**  
16oz - Kraft Canadian

**MARGARINE**  
- Western Family **3lbs/59¢**

**CAKE MIXES 2/89¢**  
- Duncan Hines Assorted Flavours 19oz

**FUDGE BROWNIES**  
- Duncan Hines 15oz **49¢**

**TOMATOES 2/55¢**  
- Hunt's 14oz tins Whole or stewed

**PEARS 3/89¢**  
- Aylmer Bartlett 14oz

**WAX 1.19**  
- Durashine Liquid 27oz

**WINDOW SPRAY**  
- Easy Off 20oz **63¢**

**PAPER TOWELS**  
- Scott Viva 2 ROLL PKGE. **59¢**

**PRODUCE**

**BANANAS 10lbs/1.00**  
- Golden Ripe

**POTATOES Canada, #2**  
Alberta Gems **15lb/79¢**

**CARROTS Famous Snoboy**  
**3lb bag/39¢**

**MARR ACCOUNTING**

McPhillips Ave.

**INCOME TAX BOOKKEEPING**

537 - 5431

Box 410, Ganges

**R.E. CASPAR**

\*Plastering  
\*Stucco  
\*Drywall

**CONTRACTOR**

Ganges  
537-2929

**ISLAND WELL DRILLING**

WATER WELLS  
Cable Tool Equipment - Owner Operated  
Free Estimates

Phone Ladysmith **245-2078** OR Write:  
Red Williams  
Grouhel Rd. R.R.1  
Ladysmith, B.C.

18 Years Drilling Experience on Gulf Islands

*Fashion Show & Mouat's Fashions*

(Nursery to mature styles)

**MONDAY, APRIL 16, 1973**

SECONDARY SCHOOL GYMNASIUM  
at 3.00 pm

Admission: \$1.00 - Tea will be served  
Students: .50¢

DOOR PRIZE - Gift Certificate from Mouats

Sponsored by the Grad. Club of '73



**SEA SPRITE BOAT \$355.00**  
Lapstraked styling - a wider deeper, safer boat, built to take the rugged going.

**HONDA OUTBOARD \$499.00**  
4-cycle - The best! Honest engine, clean, quiet, depend on it.

**Package Deal \$769.00**

**NELSON MARINE 537-2849**

On Ganges Hill

**GALIANO NEED**

# Fire Referendum Looms

BY MARY BACKLUND

Annual meeting of the Galiano Island Volunteer Fire Department was attended by about 70 people, who agreed to request a referendum to borrow \$50,000 to upgrade Galiano Fire Department.

Equipment is quite inadequate, the meeting was told, and the referendum money would provide more up-to-date equipment.

Galiano Island people are more than generous when it comes to giving land for community purposes, and this meeting saw yet another gift of land to the people of the island.

Victor and Gladys Zala, who own one of the most beautiful properties on the Island, some of it fronting on the road, and some looking into the Valley, have given a portion of land to build the new fire hall, so that it will encompass a five-mile-radius at the south end.

It will be at the North end corner, beside the Corner store which is owned by the Zala's.

Hugh MacFarlane, from the Mayne Island Fire Department, was in attendance to tell people of the excellent fire department at Mayne, and to answer questions from some on increase in taxes, but with assurance of adequate fire protection.

Elected to the board of directors for the coming year were chairman, Fred Robson; vice-chairman, Basil Bengier; secretary, Chester Williams; treasurer, Mrs. Chester Williams; directors, Hall Tingley, Stewart Mann, Len Bellhouse, Dave Laughlin, and Victor Zala.

**MODERNISE WITH PROPANE**

## DUTCH BEAUTY SALON

FOUR HAIRDRESSERS AT YOUR CALL

Serving The Islands Since 1961

Lower Ganges Road Across Telephone Building, **537-2811** Try Our European Steam Permanent

## ROY LEE PETROLEUMS LTD.



**HEATING OILS BULK SERVICES**

For convenience bills may be paid at Marr Accounting McPhillips Ave.

**653-4246 653-4414**

Box 489 Ganges

## Need a water well?

CALL:

**KEN'S DRILLING LTD.**

**477-4982 COLLECT**

Serving Vancouver Island and the Gulf Islands

ROTARY HYDRAULIC EQUIPMENT

## BRITISH COLUMBIA FERRIES MAYNE QUEEN SCHEDULE

EFFECTIVE April 1st, 1973

Leave Swartz - 5:30 a.m.  
Saturna - 6:40 a.m.  
Village - 7:20 a.m.  
Montague - 8:00 a.m.  
Otter - 8:45 a.m.  
Arr. Swartz - 9:25 a.m.

Leave Swartz - 9:45 a.m.  
Otter - 10:25 a.m.  
Montague - 11:05 a.m.  
Village - 11:35 a.m.  
Saturna - 12:15 p.m.  
Pender - 1:05 p.m.  
Arr. Swartz - 1:45 p.m.

Leave Swartz - 2:15 p.m.  
Otter - 2:55 p.m.  
Village - 3:20 p.m. (Tues. only)  
Saturna - 4:05 p.m.  
Village - 4:45 p.m.  
Montague - 5:25 p.m.  
Otter - 6:10 p.m.  
Arr. Swartz - 6:55 p.m.

(FRIDAY ONLY)  
Leave Swartz - 7:15 p.m. 7:15 p.m.  
Otter - 7:55 p.m. 7:55 p.m.  
Swartz - 8:40 p.m. 9:50 p.m.  
Montague - 8:40 p.m. 9:50 p.m.  
Village - 9:10 p.m. 10:20 p.m.  
Saturna - 9:55 p.m. 11:00 p.m.  
Arr. Swartz - 11:05 p.m. 12:10 a.m.

# STATISTICS OF TWO VOTES

SCHOOL BUILDING VOTE

HOSPITAL REFERENDUM

POLLING STATION	YES	NO	REJECTED	YES	NO	REJECTED
Mahon Hall, Ganges	251	98	7	296	53	7
Central Com. Hall	126	74	2	148	53	1
Nan's Coffee Shop	52	43	1	73	21	2
Galiano Elem. School	42	28	nil	61	9	nil
Mayne Elem. School	35	39	3	55	18	4
Pender Elem. School	36	52	1	56	32	1
Saturna Com. Hall	27	17	nil	38	6	nil
S. Pender Island	9	11	nil	13	7	nil
Advance Poll	15	7	nil	—	—	—
	593	369	14	740	199	15

## Driver Escapes Injury

Late model pick-up was totally wrecked at North Galiano on Thursday evening when the driver escaped with virtually no injury.

When Laurence "Bud" Baines was driving away from the dock at North Galiano, his 1972 Fargo pick-up skidded on the rain-slicked road and overturned. The vehicle turned end-over-end before rolling down an embankment. It came to rest between two stumps and the only occupant escaped after smashing the rear window.

He climbed back to the road near Madrona Crest and set out on foot. He was picked up by the "Tree Planters", one of whom, lent him a boot to replace the shoe he had lost in the crash.

Mr. Baines was working with his father, Harry Baines, rebuilding the latter's burned-out fishing boat before the incident occurred.

It has been a bad month for the Baines family of North Galiano. A son-in-law escaped death when a tree came down at him in the woods and Harry Baines suffered the loss of his boat when most of the superstructure was destroyed.

"But God is good," summarized Mrs. Devina Baines, "All survived and all are doing well!"

## SATURNA

(From Page Five)

grand birthday present. Thanks Barb and John.

Just so that Women's Lib, if there are any on the Island, can't accuse me of male ego-tism, we have in some cases put female names first and sometimes male. Maybe if we mix them up enough it will be as confusing to them as it is to me.

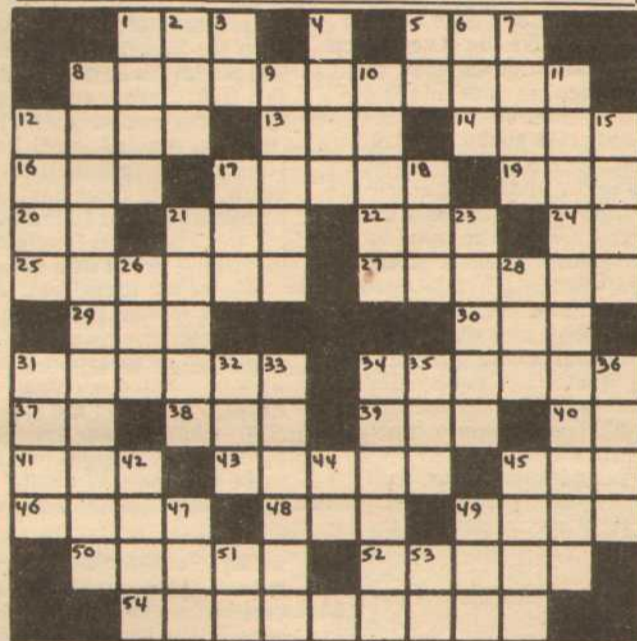
The churchgoers had a big surprise this a.m. when Ruth Connor came in with a wonderful tan. Ruth is just back from a trip to Hawaii. It looks like the trip did her a world of good if the tan means anything. Glad to see you home, Ruth.

## COMPARATIVE VOTING FOR THREE BY-LAWS

	Ref. 16 May 1972		Ref. 17 May 1972		Ref. 18 March 1973	
	Votes	Yes %	Votes	Yes %	Votes	Yes %
Advance	-	-	-	-	22	68.3
Mahon Hall	477	72.3	476	65.2	349	72.0
Central	203	69.0	202	55.2	200	63.0
Fulford	91	61.5	91	64.7	95	54.7
Galiano	102	68.6	102	67.6	70	59.9
Mayne	84	54.7	84	51.2	74	47.3
Pender	145	41.3	143	45.4	88	41.0
S. Pender	-	-	-	-	20	45.0
Saturna	45	73.4	45	71.0	44	61.4
Total	1147	71.8	1143	66.6	962	61.5

In December, 1971, referendum No. 15 was defeated. It called for the same construction work. There were 1,492 votes cast with a majority of 51.1%. A 60% majority is required.

## CROSSWORD ~ ~ ~ By A. C. Gordon

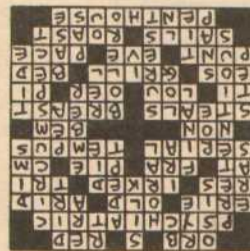


**A C R O S S**

- 1 - Globe
- 5 - ... herring
- 8 - Analytical
- 12 - Lake ....
- 13 - "... Man of the Sea"
- 14 - Parched
- 16 - Legal matter
- 17 - Nettled
- 19 - ... plicate
- 20 - Proposition
- 21 - Man of the cloth
- 22 - "... in the sky"
- 24 - Roman 900
- 25 - Story on the installment plan
- 27 - .....
- 29 - Not
- 30 - Mining degree
- 31 - Moves stealthily
- 34 - Body part
- 37 - Music note
- 38 - Male nickname
- 39 - Ended (poet.)
- 40 - Greek letter

- 41 - Goddess of the dawn
- 43 - Question severely
- 45 - Stratum
- 46 - Aquatic vessel
- 48 - Day before an event
- 49 - Tempo
- 50 - Embarks
- 52 - To ridicule
- 54 - Human aerie

- 5 - .. Rev.
- 6 - Time period
- 7 - Gossip
- 8 - Pompous
- 9 - Hourly
- 10 - Expert
- 11 - Prudent
- 12 - Epochs
- 15 - Obscures
- 17 - Male name
- 18 - "The ... is cast"
- 21 - Conclusive
- 23 - Live coal
- 26 - Caviar
- 28 - Vegetable
- 31 - Gradation
- 32 - Nautical diary
- 33 - Most definite
- 34 - Spanish dance
- 35 - The beginning of religion
- 36 - To survive
- 42 - Fast break
- 44 - Roman quartette
- 45 - Cowardly
- 47 - State of equality
- 49 - Dance step
- 51 - Legal Nomenclature (ab.)
- 53 - ...tsider



## GULF COAST MATERIALS

SERVING THE GULF ISLANDS

Galt Spring - Galiano - Mayne - Penders

Suppliers to the Gulf Islands of Ready Mix Concrete and Aggregates

- \*Navi - Jack
- \*Masonry Sand
- \*Drain Rock
- \*3/4" Minus Washed Stone
- \*1" Screened Road Gravel
- \*Pit Run Gravel

Phone **537-2611**

Res: 537-2994

Free Estimates on:  
\*Asphalt Driveways  
\*Concrete Driveways  
\*Concrete Basements & Floors

Rainbow Rd.

**WE ALSO SUPPLY CEMENT FINISHERS**

Ganges

# SPEC FILES OPPOSITION TO SEWERS

The Canadian Scientific Pollution and Environmental Control Society, SPEC, has filed an objection to the proposed sewage disposal system at Ganges.

The society has offered a 12-point objection, ranging from a dissatisfaction with the standards set by the plan to a recommendation for a master sewage plan for the whole of Salt Spring Island.

Although the proposed standards meet the minimum set by the Pollution Control Board, the society feels that in a shallow and poorly-flushed harbour, the standards may not be high enough to meet the conditions prevailing in the harbour.

The application is for a permit to discharge 75,000 gallons daily, protests the society. There is no indication of what future quantity might be realized and any increase will ensure a future problem.

There is a danger that the suspended solid content of the effluent will fertilize the waters, with its high proportion of nitrates and phosphates, and result in a profuse growth of algae; particularly in the Walter Bay area.

There is danger of an oxygen deficit in the water due to the demand for oxygen by the effluent, suggests the society's brief, and it would probably adversely affect tourism.

The coliform levels are also arousing the society's concern on the grounds that they are 10 times the maximum allowed for swimming.

Tests planned for this summer by the department of fisheries

will estimate the effect of present sewage disposal on the waters of the harbour, states the brief. No permit should be issued until these tests have been completed.

The system does not adequately remove domestic soapsuds and the discharge of sewage to the extent of 75,000 gallons per day could lower the water table.

Plans for sludge removal are not clearly outlined in the preliminary study and the plan does not list the cost of hooking up a building to the system.

There are economic as well as environmental questions not yet answered, says the society and they should be answered before any major decision is made.

Final clause reads, "It is our opinion that the public be involved in any decision involving sewage disposal where public lands and waters are affected in order to arrive at a proper and meaningful solution to sewage disposal and all-related problems".

In conclusion the society asks for copies of all evidence filed by Capital Regional District Engineer W. G. Gerry.

**CEMENT FINISHING • BACKHOE SERVICES**

- \*Driveways
- \*Basements-Patios
- \*Colored Cement
- \*Exposed Aggregates
- \*Retaining Walls

**\*Waterlines-Sewers**  
**\*General Excavating**  
**\*Contract or Hourly**  
**\*Pit Run Gravel & 1" Minus Gravel**

**SWIMMING POOLS • BLASTING & BULLDOZING**  
**SEPTIC TANKS**

Phone: **Dino Facca 537-2812**  
 Box 539, Ganges

**FACCA CONSTRUCTION LTD.**

**EXPERT SERVICE • QUALITY PARTS**  
 AT YOUR

- Ignition Specialists
- Brake Service
- Radiator Service
- Front-End Alignment STATION

**ESSO**

**S.S. ISLAND GARAGE LTD.**  
 Ganges 537-2911

## Fernwood

BY JESSIE SAYER

Friends of John Davidson will be glad to know he has returned to his home in Maliview from Lady Minto Hospital.

Mrs. A. Thompson of North Beach Road entertained her grandson G. Gerrits and wife of Auburn, Wash., and her son Lyle Thompson, of Quesnel, with grandsons Ken and Doug, and Mr. and Mrs. Richards and son also of Quesnel.

Lin Sayer, Jr., and Mrs. J. C. Aitchison of New Westminster spent a short visit with the Sayers.

Far-travelled guests of Mrs. L. Geary of Walker Hook Road recently were her parents, Mr. and Mrs. R. H. Munton and her sister, Mrs. Buxton, all of Landis, Sask., and her sister and husband, Mr. and Mrs. R. Dearing and four children of Traynor, Sask. Mrs. Geary's parents are still enjoying our warm sunshine and the activity on the channel.

By the number of cars and boats passing during the week end it's easy to see the tourist season has arrived.

## SPRING IS HERE AS CARS ARE LEFT

Spring is here. On Sunday afternoon the 2.30 ferry to Swartz Bay from Fulford left 12 cars behind. At 4.30 there were 17 vehicles kicking up their heels on the compound when the ferry pulled out and when the Salt Spring ferry sailed at 6.30 pm it left 42 vehicles behind.

The service from Fulford to Swartz Bay is the busiest of the Gulf Islands ferry links.

Hugh Curtis, Saanich-Islands MLA elicited the information last week that the Fulford run has increased in activity by almost 25% since 1969.

Figures tabled in the legislature last week show Fulford run: 1969, 71,007 vehicles; 1971, 85,627; 1972, 94,178. Vesuvius: 1969, 48,917; 1971, 56,718; 1972, 62,338. Long Harbour: 1967, 11,811; 1969, 17,180; 1971, 23,529; 1972, 26,737.

1969, 17,180; 1971, 23,529; 1972, 26,737.

\*\*\*\*\*

**The Salt Spring Island Lions Club**

*Sixth Annual*

**WALKATHON**

**SATURDAY • APRIL 21 • 1pm**

**SPECIAL AWARD**  
 Walkathon Trophy Cup and \$20 Prize

\*\*\*\*\*



# New at Valcourt's

## New Interior Decorating Centre Opening

### At Valcourt's

# THURSDAY, APRIL 5

FLOOR COVERING

WALL PANELLING

CEILING TILE

ARBORITE PANELS

WALL PAPER

CARPET LINO TILES

PAINT

CERAMIC TILE



Phil Valcourt



Yvette Valcourt

**YOUR COMMENTS MAY WIN YOU A PRIZE**  
(Pro or con)

Everything for your home



FREE ESTIMATES  
Bob Gardner  
Sales Rep.  
will call on you

REFRESHMENTS

# VALCOURT BUILDING CENTRE

537-5531

Opposite the Provincial Buildings

# SOME SCENES OF FULFORD HARBOUR IN A BYGONE



The Joan is seen tied up at Fulford many years ago...



... And some early Salt Spring residents are going aboard.

GORDON C  
FULFORD BR  
COLLECTIO  
PICTURES TO  
RECENTLY. F  
SAMPLING C

**SPECIAL ALASKA CRUISE**

May 7 to May 15

From **\$302** Sharing 2 Berth Cabin on Promenade Deck

8 days aboard CP's luxurious "Princess Patricia" through the inside passage.

Book Early - Limited Space Available

**W.(Bumps) IRWIN 537-5696**

If no answer, call Mrs. Ethell at 386-3277  
Salt Spring Island Representative

Mayfair & Hillside in Victoria

WALK IN THE WALKATHON APRIL 21

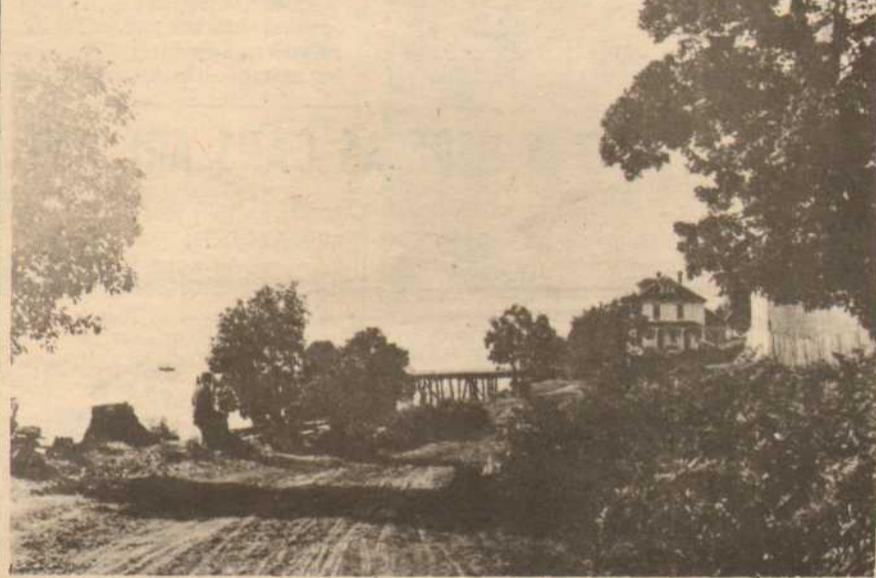
**PALLOT ELECTRIC**

CERTIFIED CLASS "A" ELECTRICAL CONTRACTOR

QUALITY HEAT SPECIALISTS

**537-5615**

Box 328, Ganges



Vesuvius Lodge is the only recognizable feature.



This was Fulford Inn.

THERE IS NO RECORD OF WHO THE EARLY CAMERAMAN WAS



Joan was a well-photographed ship in those days.

## A phone call from Honeymoon Bay, B.C. to Niagara Falls, Ont.

Station to Station Customer Dialed		Station to Station Operator Handled	
Cost per Minute (one minute minimum charge)		Cost for first three minutes (three minute min. charge)	(first additional minute)
.95	8 a.m. to 6 p.m.	3.15	.95
.67	6 p.m. to midnight	3.15	.67
.30	midnight to 8 a.m.	3.15	.30

costs less when you dial direct.

In exchanges where Direct Distance Dialing equipment is not now installed, calls that could otherwise be dialed direct will be handled by the operator at customer dialed rates.

B.C. TEL

SALTSRING MOBILEHOME ESTATE

R.R. I Brinkworthy Road, Ganges  
ATTRACTIVE SETTINGS- WIDE LOTS  
Completely Serviced - All Underground  
Mobile Homes Available  
Phone: 537-2076 or Burnaby: 433-8653

OPEN EVERY DAY  
Mon. - Sat. 7am-8pm  
Sundays 8 am-7 pm

SHIP'S ANCHOR INN

WE CATER FOR:

BIRTHDAY DINNERS  
ANNIVERSARY DINNERS  
FAMILY STYLE DINNERS

Just make your reservations and we'll have something Special for your party

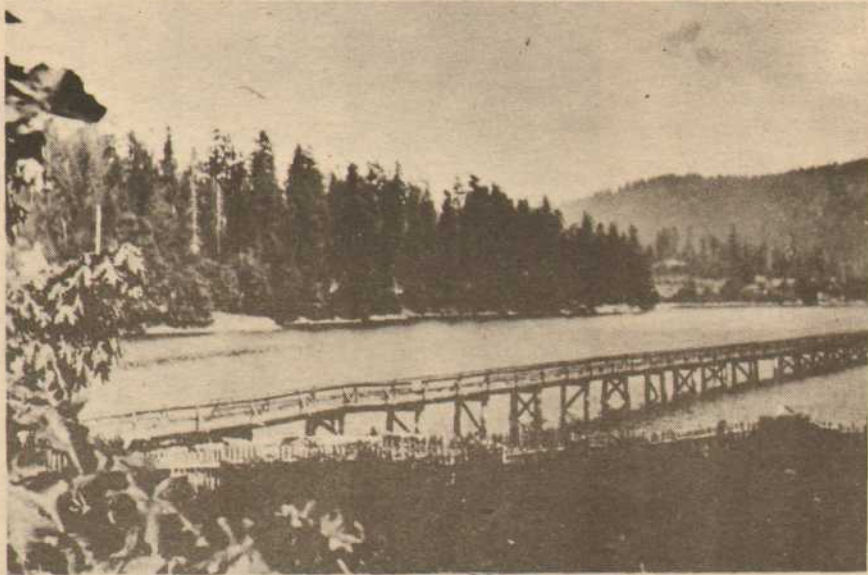
537-5338

ROOMS AVAILABLE  
Reasonable Rates

LIONS CLUB DINNER MEETING 1st & 3rd Thursdays

# ERA BRING BACK MEMORIES FOR OLDER RESIDENTS

ADMORE OF  
UGHT A  
OF EARLY  
DRIFTWOOD  
ERE IS A  
F HIS PHOTOS



Remember the causeway across Fulford Harbour?



Here's the highway to Ganges and Mount Maxwell.



famous hostelry on the harbour.



At the head of Fulford Harbour.



Catholic church at Fulford is lost in shadow.



Fulford Inn and the harbour causeway.

**TREE TOPPING**  
COMPLETE TREE SERVICE  
\*Topping \*Pruning  
\*Removal \*Selective Lot Clearing  
Gov't Certified Spray Applicator  
FREE ESTIMATES - FULLY INSURED  
**HI-TREE SERVICES LTD.** Call: **537-2540**  
after 6 pm



**WORLD-WIDE EXCESS**  
**Medical-Hospital Insurance**  
**Travelling outside Canada?**

Medical and hospital costs are expensive! Your present Medical and Hospital Plan may limit payment for expenses incurred by you or your family while travelling outside Canada.

The insurance will reimburse the insured up to the policy limit for excess medical and hospital expenses resulting from sickness or accident while travelling anywhere in the world. (\$60 Day Hospital Expenses) However you travel, you can be protected.

To give you an example of a claim we have on our file, a client on holiday in California became ill and was admitted to hospital for 10 days. The total expenses amounted to \$1,365.25

B.H.I.S.	Paid \$50 ... for 10 days	\$500.00
M.S.A.	Paid Doctors' Bills of ....	\$142.20, \$642.20

Balance covered by  
World Wide Med./Hosp. Insurance \$723.05

CALL:  
**H.J. CARLIN INSURANCE**  
537-2939  
TRAVEL INSURANCE IS OUR BUSINESS

THE HARBOUR IS UNCHANGED BUT EVERYTHING IS DIFFERENT

**GULF OIL BULK SERVICES** A.W. Shelby



- \* Stove Oil
- \* Furnace Oil
- \* Marine Dock

Office: 537-5331  
Home: 537-2664  
Box 361, Ganges

**Don't Be Disappointed**  
**BUY YOUR TICKETS NOW**  
FOR THE  
**13th Annual Firemen's Ball**  
**High School Auditorium**  
**Friday - April 6, 1973**  
9.00pm - 2.00am  
TOM CAMPBELL & HIS ORCHESTRA  
TICKETS FROM ANY FIREMAN OR AT THE FIREHALL



FOR  
\*CHIMNEYS  
\*FIREPLACES  
\*STONWORK



Call Collect  
**M.J. Peddlesden Ltd.**  
479-5908



CAM  
BASTEDO  
AGENCIES  
LTD

**SPECIAL OF THE WEEK**  
**SAVE \$500.00**  
On Your Building Costs  
(No Septic Tank Required)  
**Fully Serviced View Lot**  
FULL PRICE: **\$6500.00**  
Terms As Low As \$500.00 Down  
**CAM BASTEDO AGENCIES LTD.**

MEMBER OF MULTIPLE LISTING SERVICE

SALES REPRESENTATIVES  
Tom Butt .....653-4306  
Bert Timbers .....537-5391  
Harvey Henderson .....653-4380

Box 353, Ganges, B.C.  
537 - 5541

## THE ONE THAT RAISED A STINK !

BY REG TAYLOR

What could that objectionable odour be which came from under the garage floor? It came from the wrong direction to be the septic tank.

Next surmise was some dead creature. Without removing the floor boards it would be hard to tell.

Very early the morning after the smell arrived there were noises under the garage and then under the house. The stench started to seep in around the pipes in the bathroom.

We ruled out mice and rats,

because there were no gnawing sounds, and far too much noise. We reached the only possible conclusion; it had to be a tom cat, or cats, so we blocked all possible places where it, or they could get in, and hoped that the stink would go.

It was a false hope! The sticks were pulled out of the ground and pieces of board pushed aside. No cat would have the strength to do that much work, even if he had the inclination. Mink was ruled out on two counts. They would not be strong enough to remove such obstacles, and they do not seek human company. A racoon usually prefers trees. However, we made our bulwarks stronger, and still hoped.

About the time I was ready to give up the fight and move

**DON'T  
BUILD  
WITHOUT  
CALLING -  
KOPP  
KONSTRUCTION**  
Box 106  
537-5476 Ganges

**MODERNISE  
WITH  
PROPANE**

By the hour **Art Williams** Or contract (insured)  
PROFESSIONAL TREE CLIMBER  
**DANGEROUS TREE TOPPING**  
Phone: 245-2598 Or Write:  
245-3547 FALLING-BUCKING c/o F.M. Williams  
Ladysmith, B.C.

**Stacey Charter Service Ltd.**  
**WATER TAXI**  
24 Hour Service  
537-2510

**WE FINANCE**  
automobiles - trucks  
commercial - industrial  
and farm equipment  
boats and motors  
household appliances  
**WE LOAN**  
amounts from \$1500.00  
to \$10,000.00 or more  
Locally owned and operated in Victoria since 1925



**ISLAND  
FINANCES  
LIMITED**

764 FORT STREET,  
VICTORIA, B.C.  
386-6381 collect

**NOTICE TO** **CABLEVISION**  
**FULFORD HARBOUR**  
**CUSTOMERS ONLY**

Effective  
**SATURDAY, APRIL 7, 1973,**

Cablevision customers in  
Fulford Harbour will receive  
**CHAN-TV on Channel 8**  
rather than on Channel 3.

**NOTE: This affects customers in  
Fulford Harbour only.**

**Saltspring Cablevision  
(1972) Ltd.**

## LAST WOLF SHOT ON SALT SPRING ISLAND

It was the last wolf to be shot on Salt Spring Island. When Mrs. Beryl Weatherell of Ladysmith enquired about an old newspaper picture recently, Mrs. J. B. French at Fulford recognized the description. She had a copy of the original picture and here it is. The picture shows the late William J. Furness, with the timber wolf he shot on his Burgoyne Valley farm in March, 1948. The wolf was nearly six feet long from nose to tail. Billy and his brother George Furness found the wolf's den at the foot of Musgrave Mountain and spent some six weeks hunting the predator in their spare time. The picture was taken by P. L. Watson.



to a sweeter smelling atmosphere I saw - IT!

IT was dark and shiny in the heavy morning rain as it went "humpity - humpity" down the path and disappeared over the bank to the sea, where it most surely got its food.

Our place was its storage house. It was storing away rotten fish.

IT - of course you have guessed before now - is an OTTER.

It if were not for the smell we would not have minded having a family of Otters "down under". But to outsmart an otter is heavy ground-work!

It was an otter who hadn't 'oughter'.

## Half island Voters want Abandonment

Over 600 people have signed the petition on Salt Spring Island and against Bill 42 in its entirety, Jim Wilkinson told the Salt Spring Island Planning Association on Monday.

That is about half the people of the community who normally vote, he added.

The petition was circulated before the amendments were announced in the legislature, noted Adrian Wolfe-Milner.

"There is still no appeal to the courts," commented Mr. Wilkinson, "and I feel it is a bad law."

## DANCE HELPS TO MEET LOSSES IN GALIANO BOAT FIRE

On April 7 the people of Galiano will work towards helping an islander recover his losses. A benefit dance is to be staged in the North End Hall to raise funds for the reconstruction of Harry Baines' fishboat.

The vessel was damaged by fire recently and the owner suffered burns at the same time.

Proceeds from the dance will be set towards the replacement of some of the equipment he lost in the fire.

Sponsoring the dance is the North Galiano Community Club.

## RIDERS NAME DIRECTORS OF CLUB

BY HORSEMAN

On March 24 the Salt Spring Island Riding Club held a meeting with 19 persons attending.

The main event of the evening was the election of the club's new executive.

New directors of the club are Rod Pringle; A. Clarke, Mrs. Jean Taylor, Mrs. Christine Fleming and Miss Kelly Bourdin. Executive positions will be announced later. It is hoped that the coming year's activities will have a lot to offer.

On Sunday, April 1, 12 riders met to compete in an amateur adaptation of the Trail Class competition. Riders faced a wide assortment of obstacles such as those which might be commonly found on any ride. This was a very enjoyable exer-

cise which proved to be good training for both horse and rider. Winner of the event was Jennifer Blackett on "Pal".

The date for the lessons is now set at May 14 through May 25. There has been a tremendous response to these lessons and anyone interested is urged to register as soon as possible. Please call Jean Taylor, 537-2155 or Christine Fleming at 537-2892.

A possible demonstration by Mr. Harrop is being arranged and this day will also be the enrolment day. Parents are urged to assist their children in taking these lessons. They are certainly an excellent way to achieve safe and enjoyable coordination between horse and rider.

DON'T GET HELD UP FOR  
**THAT WIRING JOB**

CALL: 537-2537 FOR

John Taylor

**ELECTRICIAN**

Mornings & Evenings

## PACIFIC COMMUTER

**Salt Spring Island - Victoria Passenger Express**

**EVERY THURSDAY THROUGH APRIL AND MAY**

**4.50 return fare, including ferry**

656 - 2423

INFORMATION

656 - 4421



# GALIANO

BY MARY BACKLUND

Two well-known islanders are seriously ill in Lady Minto Hospital, Ganges. Mrs. M. Taylor and Mrs. Bill Cottrell are both undergoing treatment at present.

The little Thrift Shop, located on Burrill Road is now open

every Saturday afternoon. It is run by ladies of the St. Margaret's church, and proceeds to towards general upkeep of the vicarage.

A number of shooters turned up on Sunday afternoon to practice for the trophy annual shoot, which will be held at the Rod and Gun Club on Sunday, April 15.

Laughter is their product, Canadian television watchers are their customers and both are happy. Johnny Wayne and Frank Shuster have tickled their audiences into laughing with them and at them for 30 years, first on CBC Radio and now on CBC Television. What is the secret to their continued freshness and popularity? The boys stay in tune with the times through their children.

Rod and Gun president Hank Knudson, says that a petition which has been circulated on the Island recently, to retain hunting on Galiano Island, has 178 names, and Earl Young, chairman of this committee, has sent it off to the Fish and Game Branch.

More Rod and Gun news... tickets are now available for the annual fishing derby to be held on July 28; prize for tickets is a handsome model 430 Polaroid camera.

Reminder... the Auction Sale will be held in the afternoon this year on Saturday afternoon, April 21, with auctioneer Tom Carolan now ready to raise money for the hall club and the fire department.

## A NAME IN A FLASH HANDY GUIDE TO LOCAL SERVICES

**D & R ENTERPRISES LTD.**  
**MAYNE ISL.**  
 CEMENT SPECIAL  
 \$2.24 sack  
 Gordon George  
 Robson Douglas  
 539 - 2335 539 - 2640  
 Box 54, Mayne Isl. B.C.

**SUNNYSIDE GARDEN SUPPLIES**  
 Closed Mondays & Tuesdays  
 FULFORD HARBOUR  
 Seeds - Bedding Plants  
 All Your Garden Needs  
 Specializing in  
 FUCHSIAS  
 HANGING BASKETS  
 Phone: 653-4482

**FRED HODGETTS**  
 \* Stucco  
 \* Plaster  
 \* Drywall  
**537-2361**  
 40 yrs. experience

**Flowers & Wool**  
 By Dot and Rubie  
 Flower orders in by 2 pm -  
 delivery by 5.30 pm  
 MOUAT'S MALL  
**537-2231**

**TRACTOR SERVICE**  
 \* Brush Cutting  
 \* Rotovating  
 \* Post Hole Digging  
 \* Plastic Pipe Laying  
 \* Ploughing & Discing  
 Ron Cunningham  
**537 - 5310**

**Deacon & Taylor CONSTRUCTION**  
 \*HOMES  
 \*RENOVATIONS  
 \*ADDITIONS  
 To Your Specifications  
 and Satisfaction  
**537-5754**  
**Phone: 537-2155**  
 or Write: R.R.1, Ganges

**MARCOTTE'S GARAGE**  
 Complete Repair Shop  
 New and Used Parts  
 \* BATTERY  
 \* TIRES  
 \* WELDING  
 \* STEAM CLEANING  
 24 Hour Wrecker  
 Call:  
 Alex or Ed.  
**537-5714 537-5502**  
 Off Cusheon Lake Road  
 on Stewart Road

**SALES & SERVICE**  
  
 \*Admiral  
 \*Philco(Ford)  
 \*Hitachi  
 Color - B/W  
 Small Appliances - Radios  
 Service to all makes  
**DICK'S Radio & TV**  
 537-2943

**Salt Spring FREIGHT SERVICE LTD.**  
**? Moving ?**  
 LOCAL & LONG DISTANCE  
 - STORAGE -  
 Call Ganges: 537-2325  
 Victoria: 383-7331  
 Vancouver: 254-6848

WINE & BEER  
 MAKING SUPPLIES  
  
**Wine Art.**  
 GULF ISLANDS  
**FLORISTS & HANDICRAFTS**  
 537-5519

**W.C. CARLSON SHEET METAL LTD.**  
 OIL HEATING  
 IMPERIAL OIL  
 SERVICING  
 Off: 537-5621 Res: 537-2914

**Wally Twa SALT SPRING GARBAGE COLLECTION SERVICE**  
**Phone: 537-2167**

**SALT SPRING SEPTIC TANK PUMP-OUT SERVICE**  
 Norman Twa Dave Rainsford  
**537-2287 537-2013**  
 DAISY HOLDINGS

**SOIL PERCOLATION TESTS DRIVEWAYS GRAVEL FILL SEPTIC TANKS**  
 Supplied & Installed  
 DITCHING & LOADING  
 Call:  
**J.H.Harkema**  
**537-2963**

**Simpson Appliance Sales & Service**  
**Inqlis \* R.C.A.**  
**HOOVER Westinghouse**  
**653-4335**

\*POWER DIGGING  
 \*TRENCHING  
 \*WATERLINES  
 \*DRAINFIELDS  
 \*FOOTINGS  
 \*DIGGING - of all types  
**Lloyd Kinney**  
**537-2662**  
 Box 254, Ganges

**PLUMBING**  
 New Installations  
 Repairs  
 By Hour or Contract  
**J.Bednarz**  
**537-5444**

BOX 52 539-2185  
 SATURNA ISL. 539-5509  
**JIM CAMPBELL JR.**  
 TREE SURGEON  
 DANGER TREES  
 TOPPED & REMOVED  
 LANDSCAPING  
 CUSTOM BULLDOZING

**LANCER CONTRACTING LTD.**  
 BUILDERS OF:  
 NEW HOMES  
 SUMMER CABINS  
 COMMERCIAL BUILDINGS  
 Complete Plumbing &  
 Hot Water Heating Service  
**653-4413 Box 352 Ganges**

**BRADLEY BULLDOZING**  
 \* LAND CLEARING  
 \* ROAD BUILDING  
 Free Estimates  
**537-2995** Box 215 Ganges

**Esso** Stove Oil  
**Esso** Furnace Oil  
 MARINE DOCK  
**MAC MOUAT**  
 Imperial Esso  
 Sales Agent  
  
 Box 347, Ganges  
 537-5312

**NELS DEGNEN BULLDOZING**  
 \* Land Clearing  
 \* Excavating  
 \* Road Building  
 Phone: 537-2930  
 Box 701, Ganges

**Age Villadsen BUILDING CONTRACTOR**  
 Quality Homes  
 Renovations - Additions  
 Cabinets  
 Free Estimates  
**537-5412**

**H.L.REYNOLDS**  
 \*TRUCKING  
 \*BULLDOZING  
 \*GRAVEL \*SHALE  
 \*FILL \*BUILDING ROCK  
**537-5691**  
 Box 284, Ganges

Steve Wawryk  
**BULLDOZING**  
 BACKFILLING etc.  
 Days: 537-2971  
 Eves: 537-2301  
 Box 131, Ganges

**FRED'S BULLDOZING**  
 \*Land Clearing \*Road Building  
 \*Excavating \*Hauling  
 FREE ESTIMATES  
 \*25 Years Experience  
 Days: 537-2971  
 Eves: 537-2822  
 R.R.2 Ganges

**PAINTING & DECORATING**  
 TEMMEL & VOLQUARDSEN  
**653 - 4239**  
**653- 4402**

**G.I.WINDOW CLEANERS**  
 \*Floors  
 \*Walls  
 \*Gutters  
 \*Rugs & Carpets  
 Free Pick-up & Delivery  
 COMPLETE CLEANING  
 &  
 JANITOR SERVICE  
 HOME or BUSINESS  
**653-4381**

**SHEFFIELD FULFORD HARBOUR RADIO - TV ZENITH & RCA Sales & Service**  
 Color - B/W, TV's  
 Guaranteed Service to ALL of  
 SALT SPRING ISLAND  
 Call: 653-4433

**BANGERT CONSTRUCTION**  
 \* HOMES  
 \* CABINET WORK  
 \* REMODELLING  
 \*COMMERCIAL BUILDINGS  
 Phone: 537-5692

**CHAPMAN CONSTRUCTION**  
 \* Homes  
 \* Commercial Buildings  
 \* Cabinets  
 \* Alterations  
 GEORGE F. CHAPMAN  
 CONTRACTOR  
**Galiano Island**  
**539-2189**

**Ken Byron EXCAVATING**  
**Backhoe Service**  
**House Excavations**  
**Septic Tanks & fields**  
**537-2882**

GULF ISLANDS 537-5519  
**FLORISTS & HANDICRAFTS**  
 FLORAL SERVICE  
 HANDCRAFTED RHODONITE  
 JEWELLRY  
 GARDEN SUPPLIES  
  
 Free Delivery on orders of  
 \$3.50 & over

**TRUSCOTT ELECTRIC**  
 Serving the Gulf Islands  
 Reliable Service  
 Reasonable Rates  
**537-2604**  
 Box 681, Ganges

GULF ISLANDS  
**SEPTIC TANK SERVICE**  
 N. Bedocs  
 537 - 2929  
 TRUCK ON ISLAND AT  
 ALL TIMES  
 Valcourt Building Supplies  
 Ltd.  
**537-5531**  
 OR  
**537-2929**

# TWO ISLANDERS LEAVING SATURNA AFTER 33 YEARS

BY PAPAJOHN

On a lovely Sunday afternoon March 25, our Women's Club and the Community Club had an open house and tea in the hall for Andy and Kathleen Ritchie. Our President Walter Bavis, who first met the Ritchies in 1942, made one of his inimitable introductions. Walter then presented Andy and Kathleen with a pair of beautiful lamps. Then for several

hours the Ritchies were besieged with best wishes from all their innumerable friends.

Tea and coffee, with tid-bits were served by Granma Louisa Money, Daisy Bavis and other ladies. The highlight of the food portion of the festivities was a cake made by Lorraine Campbell. The decorations on the cake were a very good picture of the old lighthouse at East Point with Andy and Kathleen in it.

The cake was so light that they had to put magnets under it to keep it from wafting away but it was wafted away on small plates by an appreciative lot of guests.

Everyone signed a greeting

card and we should have had a bigger one as there was little room left on the large one we had. Despite the fact that this was a farewell party for Andy and Kathleen it was a memorable and pleasant occasion.

It would be impossible to print here even a short short history of this couple's contribution to the history of our island.

To keep peace with Women's Lib we will say Kathleen and Andy this time.

They arrived at East Point Light from the Race Rocks Light in September, 1940, and retired in August, 1960. Previous to their retiring they had built a new home on Tumbo Channel in Money Brothers' new subdivision. They did most of the work themselves, - Andy even made his own hearth. It is one of the most beautiful places at East Point.



Mr. and Mrs. Ritchie on the verandah of their East Point home.

They have reluctantly sold out and are moving to a new home that will be less secluded and handier to the amenities which they have happily done without for most of their lives.

They will, of course, be back, very often we hope, but we all feel as if a part of the island and one of our attractions is leaving us.

There is no one on the island who doesn't wish them all the luck in the world, but wish they weren't going!



To Saturna 33 years ago.

**DOMINION**  
VICTORIA'S  
WONDERFUL HOTEL  
\* Dining Lounge  
\* T.V.  
\* Free Parking  
759 YATES ST.  
VICTORIA  
384 - 4136

**MODERNISE**  
WITH  
**PROPANE**

**RON LEE SHELL SERVICE**  
AUTO-REPAIR SERVICE  
Sales & Service for:  
\* HOMELITE POWER SAWS  
\* LAWNBOY MOWERS  
\* EARTHMASTER TILLERS  
24 Hour Towing Service  
Days: 537-2023  
Eves: 653-4368  
Ganges



## ARDA MAP IS NOT VERY ACCURATE PLANNERS TOLD

The ARDA map showing farm land on Salt Spring Island coincides "to a remarkable degree" with the map drawn by the Capital Regional Board, reported Dr. David Lott on Monday evening.

He was speaking at the meeting of the Salt Spring Island Planning Association.

"Now perhaps the land-use committee can convene and do something," he observed.

The ARDA map is not a very accurate one, he added. It is only a tiny corner of Canada and they weren't very interested in the islands, he added.



Author-broadcaster Pierre Berton is one of the regulars on CBC-TV's Front Page Challenge. The writer of several best selling books, Pierre can always be counted on for probing questions and witty comments.

**This is one house that Westwood built.**  
There are over fifty other styles to choose from.



The Saratoga has three bedrooms, cathedral entrance, fireplace sundeck, utility room and over 1060 sq. ft. of floor space.

**WESTWOOD BUILDING SYSTEMS LTD.**  
2 EWMEN AVENUE, NEW WESTMINSTER, B.C. PHONE 526-2677

CONTACT YOUR WESTWOOD DEALER  
**Valcourt Building Centre**  
Opposite the Provincial Building 537-5531

**HOW CAN I ???**  
By Anne Ashley

Q. How can I make a good job of removing the old finish from furniture prior to refinishing?

A. Use paint or varnish remover, obtainable at any paint or hardware store. If a tinge of the old paint remains, mix two tablespoons of oxalic acid with a quart of water, douse this on the furniture with a brush, and let stay for 15 minutes before rinsing with plain water. This will bleach the wood to its natural color. WARNING: Protect your hands with rubber gloves, and avoid splashing yourself!

Q. How can I clean and whiten meat boards and breadboards that have become discolored?

A. Try rubbing over them with the inside of a lemon rind, following this with a clear warm-water washing.

And, of course, if the stain happens to be burnt into the goods too much -- this won't work.

Q. How can I brighten up the gold patterns on my dishes which have become dingy-looking?

A. Scrub with a dry toothbrush dipped in bicarbonate of soda. Or, use a moist toothbrush in powdered alum. Let the alum stay on for a couple of hours or so, then wash the plates.

Q. How can I cope with ballpoint pen stains on fabrics?

A. These stains usually yield to treatment with carbon tetrachloride.

Q. What corrective measures can I take if I have inadvertently gotten too much bluing into some of my wash?

A. Just rinse the articles in clear water to which you've added a little vinegar.

SKETCHING IS FUN WITH PENCIL & PEN 2.79  
STEP BY STEP WEAVING ..... 2.95  
PACIFIC BULB GARDENER ..... 3.95  
HOW TO PRUNE ALMOST EVERYTHING 8.75  
LASKER'S HOW TO PLAY CHESS ..... 1.75  
THE MEN AT CARY CASTLE ..... 6.95  
MARINE PAINTING IN OIL AND WATERCOLOR ..... 5.49  
NO MAN STANDS ALONE ..... 4.50  
THE ATLANTIC SALMON ..... 6.95  
PHYLLIS WEBB'S SELECTED POEMS ..... 2.50  
BUSH PILOT WITH A BRIEFCASE ..... 7.95  
MIKE - VOL. 1  
Memoir of the Rt. Hon. Lester B. Pearson 12.50  
CANADIAN NORTH ..... 9.75  
VANCOUVER ISLAND'S WEST COAST ..10.00  
1,001 BRITISH COLUMBIA PLACE NAMES 5.70  
YOUR INCOME TAX ..... 2.95  
WRITERS MARKET '73 ..... 9.95  
1973 WORLD ALMANAC ..... 2.00  
JONATHAN LIVINGSTON SEAGULL ....5.95  
THE WEST COAST TRAIL ..... 3.50  
INDIAN ROCK CARVINGS OF THE PACIFIC NORTHWEST ..... 8.00

**DRIFTWOOD**  
537-2211

**VICTORIA FLYING SERVICES LTD.**  
**SPRING SCHEDULE**

Flight No.	LEAVE VICTORIA HARBOUR	LEAVE GULF ISLANDS	ARRIVE BAYSHORE INN
21*	0800	0825	0855
23#	1130	1155	1225
25	1600	1625	1625
Flight No.	LEAVE BAYSHORE INN	LEAVE GULF ISLANDS	ARRIVE VICTORIA HARBOUR
22*	0930	0955	1025
24#	1300	1325	1355
26	1730	1755	1825

\* No flight No. 21 or 22 on Sunday  
# Flight No. 23 and 24 Friday ONLY

VANCOUVER 688-7115 GULF ISLANDS ZE-2032 VICTORIA 656-3971

REAL ESTATE

**Salt Spring Lands**

**SALT SPRING ISLAND**  
10 acres small island waterfront. Ideal boaters retreat with good anchorage. Over 1500' frontage. Parklike acres. \$45,000 tms.

Near new 2 B/R home ideal size for retired couple. Fireplace, electric heating. 1 acre grounds at end of short country road. Appliances incl. \$28,500.  
Call JIM SPENCER 537-2154

Over 200 acres - excellent group purchase, some excellent beach area, some beautiful sea views, several parcels, less than \$500 per acre.

Prime waterfront lot with small boat anchorage offshore, 200' frontage, driveway, septic field & concrete slab in. Fully serviced area - \$27,500 tms.  
Call MEL TOPPING 537-2426

1 1/2 acres, fully serviced, semi-cleared, best buy available today at \$6500.

10 acres lovely mountain view, large cedars & other timber, small bldg. area semi-cleared. Old rail fences. \$21,500 tms.  
Call BOB TARA 653-4435

2 small summer cabins both near beach. Beach water to both. Low prices of \$11,000 & \$11,500.

0.67 acres lakeview, nicely treed, fully serviced, close to public line. \$6,000.  
Call DICK TRORY 537-2236

Several choice 10 acre seaview parcels, beautiful parklike acreage with winding driveways & bldg site in. \$27,500 with large discount for cash.

3/4 acres harbour view lot, fully serviced, old orchard. A real builders special at \$6,750.  
Call DICK POOLE 537-2643

**GALIANO ISLAND**  
Six acres of beautiful upland property on gentle slope with arbutus trees, open & sunny, sweeping view of Gulf.  
Only \$22,500

High on a hill at North Galiano, 1 ac. homesite on water system southwest view, near store & boat launching ramp.  
\$11,500

2 acs. of prime cedar woodland ideal for summer cottage or cabin adjacent to miles of hiking trails. Only \$8,000 with \$1,000 down & easy terms.  
Collect JEAN LOCKWOOD  
Eves 539-2442 Days 539-2250

10 ac. estate property, over 1/2 bottom land with creek, rising to beautiful wooded hillside for building site with panoramic view of Trincomali Channel & western islands. Access on Porlier Pass Drive & estate road to view area. Hydro, phone. Full price \$18,500.  
Excellent tms or quick cash sale 10% discount.  
Collect A.S. KILICK  
Eves 539-2952 Days 539-2250

Urgently required, several small, modern homes in the \$20/25000 range. Cash buyers waiting. List with us - it pays

SALT SPRING LANDS LTD.  
Ganges, B.C. 537-5515

Deadline for Classified  
Midday Tuesday

REAL ESTATE

**A. E. LePAGE**

Western Ltd.

**MAYNE ISLAND - RARE BEAUTY**

3 bedroom year-round bungalow on beautifully landscaped superb view. .90 ac. with 100' waterfront overlooking Miners Bay in famous Active Pass known for its excellent fishing. Boat launching ramp from boathouse to perfect mooring. Guest cottage sleeps four. Greenhouse, fine garden area, 2 gal. per min well, plus other buildings. Complete privacy. A gem at \$59,800.

**PICTURESQUE PENDER ISLAND**

On Capstan Lane, a delightful almost completed 2 Bdr. split level post and beam home awaits your tender loving care. There is a tantalizing view to the S.W. overlooking Swanson Channel. Privacy is precious here. The price of \$28,400 on this home dictates your immediate inspection and subsequent down payment of \$4,200.

Another Capstan Lane 2 bedroom post and beam home situated among fir trees on large lot in prestige area, on sunny S.W. side. Has good view over Swanson Channel.

8.75 acres of choice panoramic view property facing west, sheltered from wind and overlooking village of Port Washington on beautiful Swanson Channel. One custom built 2 br. bungalow and 1 - 1 br. cottage; situated on choice building sites. Suitable for group purchase. A price worth investigating.

These 2 bedroomed, shake-roofed, stylish bungalows are situated in a beautiful residential, sunsoaked area, with views to the south west. If you hurry to see these now you can choose the interior colour scheme. Excellent value at today's prices, \$29,500 and \$30,700 includes fireplac es. Use Provincial \$5,000 second mortgage or \$1,000 grant as part of down payment.

**PENDER'S DRIFTWOOD SERVICE CENTRE**

A fine large new service station and fast food canteen is waiting for you. Very good potential for the only service station on N. Pender servicing both islands. Situated on app. 8 ac. Excellent for further development into motel complex. Take over now for the coming season. Leases available if required. Investigate this at \$125,000.

Pick up the phone and call Your Gulf Island Specialist

**Ted Dever**

Call Pender Island collect  
629 - 3371

**SALT SPRING ISLAND**

WATERFRONT  
29.5 Acres

Overlooking Captain's Pass at entrance to Ganges Harbour, salmon fishing at your doorstep. This property fronts on 3 roads. Many trees offer seclusion to the 3 bedroom older type home. Over 100 fruit trees, approximately 6 acres cleared. Beautiful location - close to the sea for a modern home. Let me show you this fine property listed at \$105,000.

Sea view two bedroom home overlooking beautiful Fulford Harbour. Convenient to Victoria ferry. Large living room with fireplace and wall-to-wall carpeting. Kitchen complete with automatic electric dishwasher. Half acre lot and guest cottage. Separate garage and workshop. Ideal retirement home on the Ideal Island.

\$26,500

Call: **John Watson**

GANGES REP. 537-2177

**LISTINGS WANTED**

We offer you total coverage to reach the widest market and find buyers from other parts of Canada and from all parts of the world. We are obligated to render a conscientious service. List your property with us.

This message is not intended to solicit business from our fellow realtors. Should your property be listed with another realtor, please accept our best wishes for a satisfactory sale.

**John Watson**

Ganges  
Representative  
537-2177

**Ted Dever**

Call Pender Island  
629-3371  
Collect.



Nearly  
FOUR  
ACRES  
Nicely  
Wooded  
Property.

Small cabin overlooks view of Trincomali Channel. Vender anxious to sell. Make an offer. Terms available.

High View property serviced with watermain, power and telephone. \$9500 full price. Terms as low as \$2,000 down.

Contact BERT TIMBERS or HARVEY HENDERSON at Cam Bastedo Agencies Ltd., Box 353, Ganges, B.C. Phone: 537-5541 or Evenings: 537-5391 or 653-4380. 13-1



**BY THE SEA**

Watch the ships in Trincomali Channel from your large living room with fireplace, 2 bedrooms, den, 1 1/2 baths and much more, all this and waterfront too. Very low forties. M.L.S.

**SPECIAL ON LOTS**

1/2 acre lakeview, building site in, water & hydro to lot. N.L.S.

1 acre, good building site, southern exposure for the garden. Hydro and water to lot. M.L.S.

3 acres plus, lots of trees, 160 ft. waterfront, on two roads, a good buy.

JAKE JAVORSKI, 537-2832  
GANGES, B.C.  
CITY SAVINGS & TRUST,  
383-4141. VICTORIA, B.C.

REAL ESTATE



**NATIONAL REAL ESTATE SERVICE**

**GOSSIP ISLAND** Beautiful waterfront lot \$11,900

**GALIANO ISLAND**

2 Waterfront homes \$45,000 and \$60,000  
1 Rancher, spectacular view plus guest suite \$38,500  
1 - 10 acre lots \$8,000 to \$27,500  
6.85 acres of tree plus fantastic view \$51,000

**SATURNA**

Secluded 4 1/2 acres with lovely home and guest cottage  
1,300 feet of waterfront extra long dock with raft \$125,000

**MAYNE**

Have a hideaway on any of these treed lots \$4,900 - \$10,000.  
Ready cleared lot semi waterfront \$8,250

**PENDER**

Mouat Point 85 feet of waterfront, water and sewer \$15,900

**SALT SPRING**

Good 2 acres ready to grow \$9,450  
Waterfront with great view \$20,000

LIST YOUR PROPERTIES WITH  
NATIONAL REAL ESTATE SERVICE

PHONE: JOHN LIVER - 539-2119 GALIANO

BLOCK BROS. REALTY LTD., 3479 DUNBAR ST., VANCOUVER

The first time offered -  
1 acre, serviced, wooded, on a sunny slope, near Ganges, only \$7,500.

In St. Mary Highlands, a large wooded lot with a view to the south and west, the lake below, the sea beyond, a lovely spot for a home, only \$11,500. - Terms available.

M.J.S. On Baker Road near the Golf Course, a new 3 bedroom home decorated in Spanish with a white marble fireplace, deep rugs, 3 sets of plumbing with marble top vanities, large walk-in closets and this lovely home on 5 acres of meadow, alders and firs in your own little Valley. All for \$55,000.  
Please call for an appointment to view.

ERNIE WATSON  
at his residence in Ganges,  
537 - 2030.



1057 Fort St., Victoria, B. C.

**ROD AND GUN CLUB PLANS PROGRAM OF APRIL EVENTS**

Salt Spring Island Rod and Gun Club fresh water fishing derby on April 15 is open to everyone. Prizes are offered for the largest bass, the largest trout and the largest junior fish (under 15). There is a \$1 entry fee and tickets are available at Shape-Up Shop, Island Garage and Fulford Post Office

Fun Shoot will be April 22 at the Clubhouse and .22 rifle shooting will start at 9 a.m. Trap Shooting starts at 1 pm for members only.

The club is opening a drive for new members. Islanders interested in the club may contact committee members of the Rod and Gun Club. Information is available at 537-2644.

Next general meeting of the club is Monday, April 9, at 8 pm in the clubhouse on Scott Road.

**NATURE AND ISLAND CAMP**

Vancouver Natural History Society, joined by members of the Victoria group, stayed at the YaWaCa Outdoor Centre on Beaver Point Road over the weekend. They enjoyed hiking, bird watching and nature study, with several members from the Salt Spring Trail and Nature-Club also entering into their activities.

On several occasions interested people of the community have been invited to join visiting groups staying at YaWaCa. This has proven to be an excellent opportunity to hear speakers, and learn from experienced people in different fields. In the autumn Annie and John Robbins held twice weekly yoga sessions at YaWaCa and some of their people took part in the Vancouver Y's Yoga Retreat held at the Centre. Then when SIMS Meditation Society met at the Y, again Islanders joined in.

A family camp is planned for April 27-29 weekend, and again Islanders are invited to come along.

Our grade 7's were the first school group to stay at the Y for a three-day outdoor study session, and now several mainland schools are booked for May and June. Our Island Cubs are going to help clean up the grounds one Saturday soon, and they will stay over-

night at the camp. During the summer the Outdoor Centre will again be run as a camp for girls from 9 to 15 years of age. Sixty girls will be accommodated for each two week session, starting July 9, and running through to the end of August. The last session is reserved for leadership training for over-15-year-olds.

Islanders interested in helping to staff the Y, either as summer help (kitchen staff is not needed) or as resource people in specific fields such as music, island history, nursing, nature study are invited to phone YaWaCa, and talk to Faye or Frieda. Kitchen help is not needed, they repeat

**BREAK BUT NO BREAK-IN AT PHARMACY**

Earlier reports of a break-in at Ganges Pharmacy were exaggerated. The window at the drug store was smashed during the night of Sunday, Mar. 24, but no entry was made.

Police are still investigating the incident when a six-by-six was thrown through the store window.

**HOCKEY PLAYERS WIND UP SEASON WITH BANQUET**



Young hockey players examine the trophies before the hockey party at Fulford on Saturday evening.

BY HELEN TARA  
Secretary Treasurer  
SRHA 1973

The Saturday hockey party at Fulford Hall climaxed an exciting hockey season for the young people of Salt Spring Island. The players from the three divisions ranged in age from 6 to 16 years.

The success of hockey was due this year to the fine display of sportsmanship of the young athletes, and the keen interest, participation and help of the parents. There was great communication between all of the coaches and referees. The coaches and referees were Bob Anderson, Morry Akerman, Captain Bob Andersen, Bob Beauluc, David Culver, George Almond, Pierre Valcourt, Julien Valcourt and Doug Lohr. The SRHA are most apprecia-

tive of the financial support of the local Rotary Club, Lions Club, Legion, Stepaniuk's Christmas Tree Sports Fund, private donations and the pro-

ceeds from the bottle drive. The Fulford Community Hall association has turned over to hockey their entire share of the annual smorgasbord funds.

**FINAL LEAGUE STANDINGS**

BY MORRY AKERMAN

The Ganges Flyers sewed up first place in the Pee Wee divisions standings of Salt Spring Roller Hockey Association by winning eight games, tying one and dropping one. The Fulford Bears claimed second spot by winning four games, tying two and dropping four. The Ganges Angels settled for third with three ties, and dropping seven well fought games.

The Fulford Barons packed home the Intermediate league championship by edging out the Ganges Blues in eight games, one game going into overtime; the Blues retaliated for two wins late in the season.

The Ganges Junior Maple Leafs backed up with consistent coaching, slick goal tending and the edge in team co-operation, collected seven wins out of ten games over the hard checking Fulford Bruins.

**Season Awards**  
Salt Spring Roller Hockey

players helped their coaches nominate candidates from their own team for the individual season awards.

Candidates were judged by League representatives. Coaches presented trophies to winner in Sportsmanship, Best Goalie, most improved player and player contributing most to team in playing ability, combined with sportsmanship and promotion of team work.

Out of seven teams in the Pee Wee, Intermediate and Junior divisions, "Best Goalie" awards were won by Warren Kyle of the Ganges Flyers, Robert Neish of the Ganges Blues, Alf Draper of the Fulford Barons and Mark Hughes of the Ganges Maple Leafs.

"Most Sportsmanlike Player" awards were won by Dwayne Reynolds of the Ganges Angels, Dave Tara of the Fulford Barons and Pat Reynolds of the Fulford Bruins.

"Most Improved Player" awards were won by Stephen Almond of Ganges Flyers, Craig Sollit of the Ganges Blues and Tom Reynolds of the Fulford Bruins. "Player contributing Most to Team" awards were won by Danny O'Donnell of the Fulford Bears, Brian Kitchen of Fulford Barons, and Rence Valcourt of the Ganges Maple Leafs.

The award for "Team Displaying Best Teamwork" out of the seven teams in the SRHA was the Ganges Flyers of the Pee Wee division. Runners-up to this award were the Fulford Barons of the Intermediate division.

**NORTH GALIANO**

BY DEVINA BAINES

Mr. and Mrs. David Weatherall of Ladysmith were recent visitors to the North End.

Mr. and Mrs. Henry Brown of Victoria, are spending a few days with their brother-in-law.

Bill Bamford is visiting his mother in Vancouver.

Dr. and Mrs. A. M. Beach are spending the week end with Mr. and Mrs. Reg Hume in Nanaimo.

The new home of Frank and Mary Reader is coming along nicely. There are several new buildings going up on the North End and with cod season now in full swing the place is really buzzing.

Miss Anderson, junior room teacher, took her class on a field trip to Victoria, on Friday. Among them were four or five very bright-eyes excited youngsters from the North End.

**FINAL CONCERT OF YEAR**

A concert by Kathy Stack and Clair Lawrence will be the Community Arts Council's final offering of the current season this Sunday afternoon, April 8, at 2 pm. It will take place at Schubart home, Old Scott Road.

Kathy Stack sings to her own guitar accompaniment and many of her songs are her own composition. She has recently returned to Salt Spring Island from a series of concert engagements. She is in the process of recording for Haida Records and will have a disc available in the next few months.

Clair Lawrence is producing the Kathy Stack recording, and was responsible for the production of the recent award-winning Valdi album as well. For this Sunday's concert, she plans to play flute, saxophone and harmonica. The atmosphere will be informal; the music,

un-amplified; the repertory will include folk-tunes as well as Kathy's songs. Refreshments will be served.

This concert is free to CAC members. New members are welcome to join at the door upon payment of \$1 half-year membership fee.

**NEW FERRY FOR GABRIOLA ISLAND**

While Gabriola Island is split over the establishment of a ferry terminal there and the proposed bridge to Vancouver Island is stirring up controversy through the islands, a new ferry vessel looms.

The provincial government's department of highways is calling for tenders for the construction of a new 25-car ferry or 170 feet length to ply between Nanaimo and Gabriola.



**THEY START YOUNG AT FULFORD HALL**

Baby in the buggy was the youngest taking part in the hockey party at Fulford on Saturday evening, but received not a single trophy during the prize-giving.

**SWERVES TO AVOID DOG**

When David Rendell, Ganges swerved to miss a dog on Ganges Hill on Thursday, the dodge put him in the ditch.

He was driving towards Ganges and rolled over into a ditch. Driver was unhurt and damage was estimated at about \$200.

**Mutual Fire Insurance Co. of B.C.**  
Founded in 1902 by the Farmers of British Columbia  
Gulf Island Agents  
Pender ... F.R. Sterling  
Salt Spring H.J. Carlin  
Galiano .. Donald New  
Saturna .. J. McMahon  
Mayne ... H. Hampshire

**DAVE RAINSFORD Plumbing**  
New Installations  
CALL: 537-2013  
IF NO REPLY CALL: 537-5511

**you have a choice!**

Revolving Retail Credit pay 18 to 22% interest per annum OR Credit Union Loan pay 12% interest per annum

Before you charge another purchase, it will pay you to compare the savings you can make by getting a loan beforehand from your credit union.

Whether you're shopping for appliances, furnishings, a car, boat, or camper, or even a vacation trip, your credit union can provide you with a convenient personal loan at the down to earth interest rate of 12%.

**Saanich peninsula savings credit union**  
—we're close by—  
2436 Beacon Avenue SIDNEY Tel. 656-1115  
4512 West Saanich Road VICTORIA Tel. 479-1631  
7174 West Saanich Road BRENTWOOD BAY Tel. 652-1116  
Hours of Business: Tues. to Thurs. 10-5; Fri. 10-6; Sat. 10-1; closed all day Monday

**The Guy You Need Is La Flam ELECTRICAL CONTRACTOR**  
537-2551 P.O. BOX 324, GANGES

**SOIL PERCOLATION TESTS**  
\* SEPTIC TANKS & FIELDS  
\* HOUSE EXCAVATIONS  
\* BACKHOE SERVICE  
Exclusive Gulf Islands Agent for CROMAGLASS - the self-contained wastewater treatment system  
Call: **KEN BYRON EXCAVATING**  
537-2882 Box 584, Ganges

**LAFORTUNE CONTRACTING**  
We supply & erect Precut Chateau Homes  
●  
**FRAMING & FOUNDATIONS OUR SPECIALTY**  
537-5345  
Box 507, Ganges, B.C.

# MINISTER RUDE TO ISLAND PLANNERS

Members of the Salt Spring Island Planning Association were not agreed last week about their poor reception by the Select Standing Committee on Municipal Matters in Victoria.

Dr. David Lott reported that the committee listened to them politely. Mrs. L. V. Guthrie disagreed. They had yawned and looked at their watches all the time and one member left



## BOWLERS OF THE WEEK

Top bowlers at Leisure Lanes last week were:

Ladies high score for the week, Ruth Bedford, with 216, 263 and 309 for a total of 788; Men's high score, Geordie Webster with 314, 265 and 184 for a total of 761.

The house bowl-off for the province team bowl was held last week and the winners were the Salties, Doris Centro, captain, Dorothy Hitchcock, Olive Hislop, Elinour Empey and Joan Cruickshank. They bowled 251 over their average.

Second team was the Sheep Ticks, Ted and Donna Akerman, Pat and Brenda Akerman, Bruce Fiander. They were 216 pins over average.

These two teams will compete in the zone finals some time before May 13. The winner will go to Reno.

before the presentation was finished.

All delegates from the island agreed that it had been a waste of their time and a frustration.

"The committee had not done its homework," stated Dr. Lott. "Mr. Lorimer treated us as if we were rather a small pressure group and he was a bit rude about the whole business."

The reaction the association got out of Municipal Affairs Minister James Lorimer was "zero", he concluded.

Mrs. Guthrie agreed that Chairman Peter Thomson made a good presentation.

"He was under the misapprehension that the committee members had read the brief presented to them by Jim Campbell and Marc Holmes three weeks ago," she explained.

Nobody on the committee had done their homework, except Hugh Curtis, Saanich-Islands MLA, who knew the score. Mr. Curtis referred them to Hansard where Mr. Lorimer was quoted.

"Lorimer admitted he didn't know where we were at on Salt Spring Island," she told the planning association meeting on Monday evening.

She found it "terribly disappointing".

Mr. Lorimer made it clear that he was not going to act in approving the island Community Plan presented to him six months ago until he has had an opportunity of meeting the people, reported Mrs. Guthrie.

"Yet he was not prepared to talk to the people visiting him there."

Mrs. R. R. Alton explained that the members of the committee didn't know enough about Salt Spring Island to be able to ask any questions.

It was a wasted effort, said Dr. Lott.

The association will write to the select committee inviting them to visit Salt Spring Island in the near future. The letter will also ask whether they want to meet with the general public or with planners or simply make a tour of the island.

Recommendation by Jim Wilkinson that a reference be made to Bill 42 was not approved. Mr. Wilkinson explained that other island associations were planning to write, linking the two concerns, in any

case. "I fail to see how you can even discuss the Community Plan without reference to Bill 42," he commented.

"Lorimer suggested coming, but he didn't call the shots," said Mrs. Guthrie. "He didn't say whether he planned to call on farmers and to see whether they came at him with a shot gun."

If the committee knows so little about Salt Spring Island, they should come over and look around before meeting anybody, commented Adrian Wolfe-Milner.

## FULFORD TIDE TABLES

APRIL 1973

DAY	TIME	HT.
6	0025	7.9
	0525	10.4
FR	1240	.9
	2055	10.3
7	0110	8.5
	0610	10.3
SA	1335	.7
	2150	10.4
8	0230	8.9
	0630	9.9
SU	1425	1.0
	2300	10.4
9	0400	8.9
	0730	9.4
MO	1525	1.5
10	0005	10.5
	0550	8.5
TU	0825	8.7
	1635	2.2
11	0100	10.5
	0710	7.7
WE	1025	8.1
	1740	2.9
12	0155	10.4
	0755	6.7
TH	1215	7.8
	1850	3.7

## REGISTRATION FOR BASEBALL AT ELEMENTARY SCHOOL

Minor League, Little League and Babe Ruth Baseball registration will be held during the week of April 2 to 6 at the school office.

All boys interested in playing baseball should return their completed forms during this week.

Boys with uniforms still at home are asked to please return them to Mr. Woodley at the Elementary School immediately.

## What's cooking?

\* \*

### FUTURE LOOK

At the monthly Presidents' Breakfast in Ganges on Saturday the following Salt Spring Island calendar was announced by various delegates:

- April 11, Church World Relief Tea.
- April 15, Fresh Water Fishing Derby.
- April 28, Masonic Lodge Installation Night.
- April 29, Anglican Church Men's Breakfast.
- April 29, Trophy Shoots, Rod and Gun Club.
- April 15-May 19, Clean-up Month.
- May 5, Aage Villadsen Golf Classic.
- May 11, Hospital Day.
- May 11, Hospital Meeting, Mahon Hall.
- May 11-12 Marriage Seminar
- May 19, May Day.
- May 20, Rod and Gun - Salt Water Derby.
- Late in May, Legion Red Cross Blood Clinic.
- June 9, Fulford Hall Dance.
- June 29, Rotary Installation.
- July 1-Sept. 1, Arts Show, Mahon Hall.
- July 14, Park Day, Drummond Park.
- July 20, Rod and Gun Hard Times Dance.
- July 21-22, Rod and Gun 2-day Fishing Derby.
- July 28, Anglican Spring Fair.
- Nov. 23, Rotary Grey Cup Breakfast.
- Nov. 30, Rod and Gun Annual Dinner and Dance.

## HARRY'S HOME REPAIRS

20 Years Experience

- \* General
- \* Paints
- \* Drains

No Job Too Small

537-2322

## THEATRE ENTERTAINMENT

Thursday • April 12 Mahon Hall

TWO PERFORMANCES

ACT I of BREATH OF SPRING PLUS: ONE ACT PLAYS  
By SALT SPRING PLAYERS By HIGH SCHOOL DRAMA CLASS

Admission: 50¢  
Matinee: 1.30pm  
Evening: 7.30pm  
Tickets at door

## PLAY TELEVISION BINGO

IN YOUR HOME

3 "BLACKOUT" BINGO GAMES

Total Prize Money  
\$15,000.00

11.30 P.M. - FRIDAY, 13 APRIL, 1973  
ON BCTV - YOUR CTV STATION

\$1.00 Per Card — 8 Cards for \$6.00

ENTER NOW - MAIL YOUR ENTRY TODAY

## YAWACA OUTDOOR CENTRE

Phone 653-4221 for reservations and further information.

### YAWACA OUTDOOR CENTRE STAFF

would like to formally thank the residents of Salt Spring Island, our friends and neighbours for their support during what was for us a long hard winter. Thanks to your help we are once again open for business.

We would also like to invite islanders to participate in our family camping weekend, April 27-29 (at the end of the Easter holidays).

PROGRAM - free and relaxed, hiking, canoeing, biking.

COST - for the weekend including two nights and five delicious meals \$12.00 or \$3.00 per meal for those wishing to participate only in day or evening programs without staying overnight.

## PAINTING YOUR BOAT? We're here to help you!

PAINTS FOR:

- FIBREGLASS
- WOOD
- STEEL
- ALUMINUM
- STERN DRIVES
- ANTI FOULING
- VARNISH-SHELLAC
- TEAK OILS

OUR INTEREST DOESN'T END WHEN YOU BUY THE PRODUCT! Choose and you will find we back our boat finishes with service and technical advice....

IT'S FREE - May we help you?

Bring this advertisement and we will reduce any purchase by 10%

## GANGES BOAT YARD LTD.

537-2932

JUST BELOW THE HOTEL

COMPARE BEFORE YOU BUY!